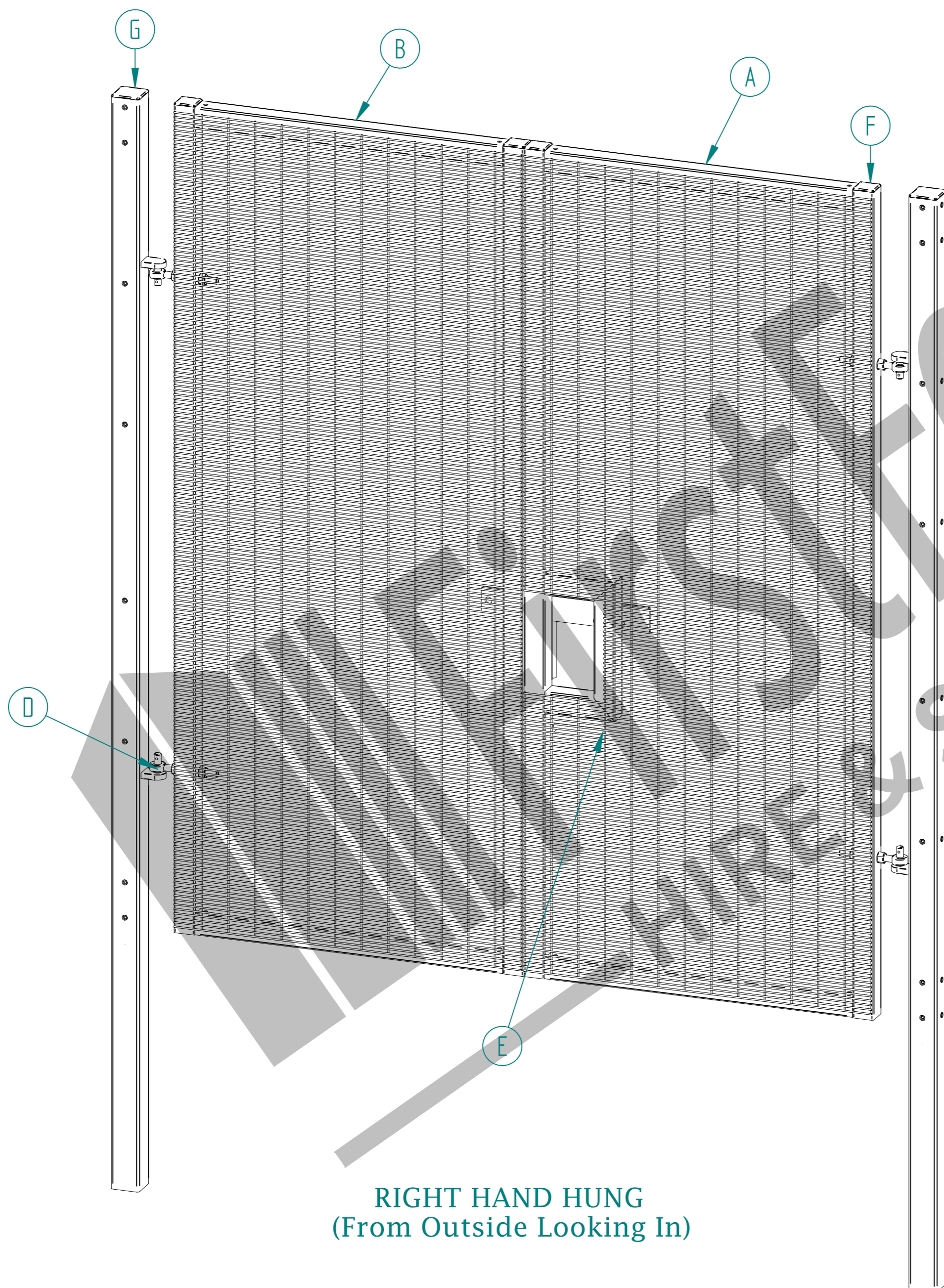
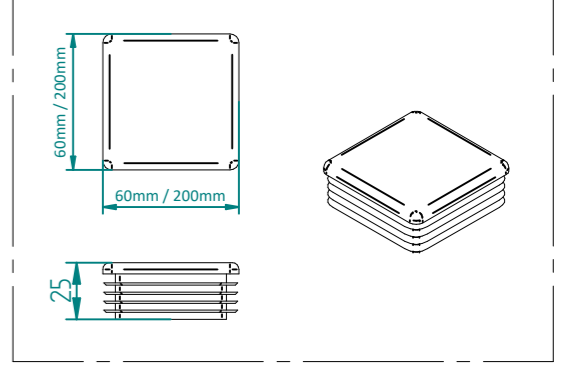


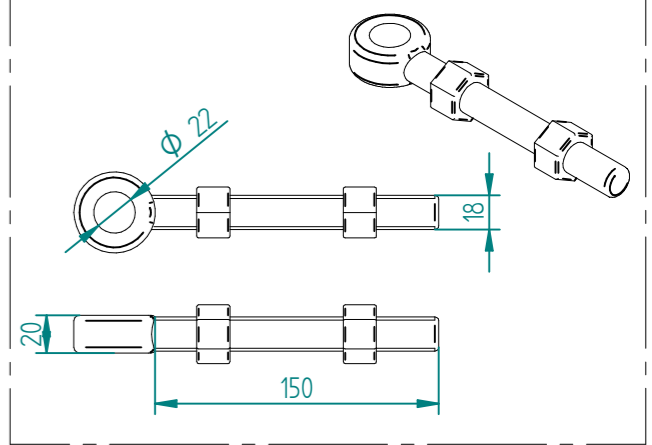
2.4m X 2.0m WIDE DOUBLE LEAF DIG IN 358 MESH GATE KIT



ALL GATES & POSTS ARE TO BE FITTED WITH BLACK PLASTIC INSERTS



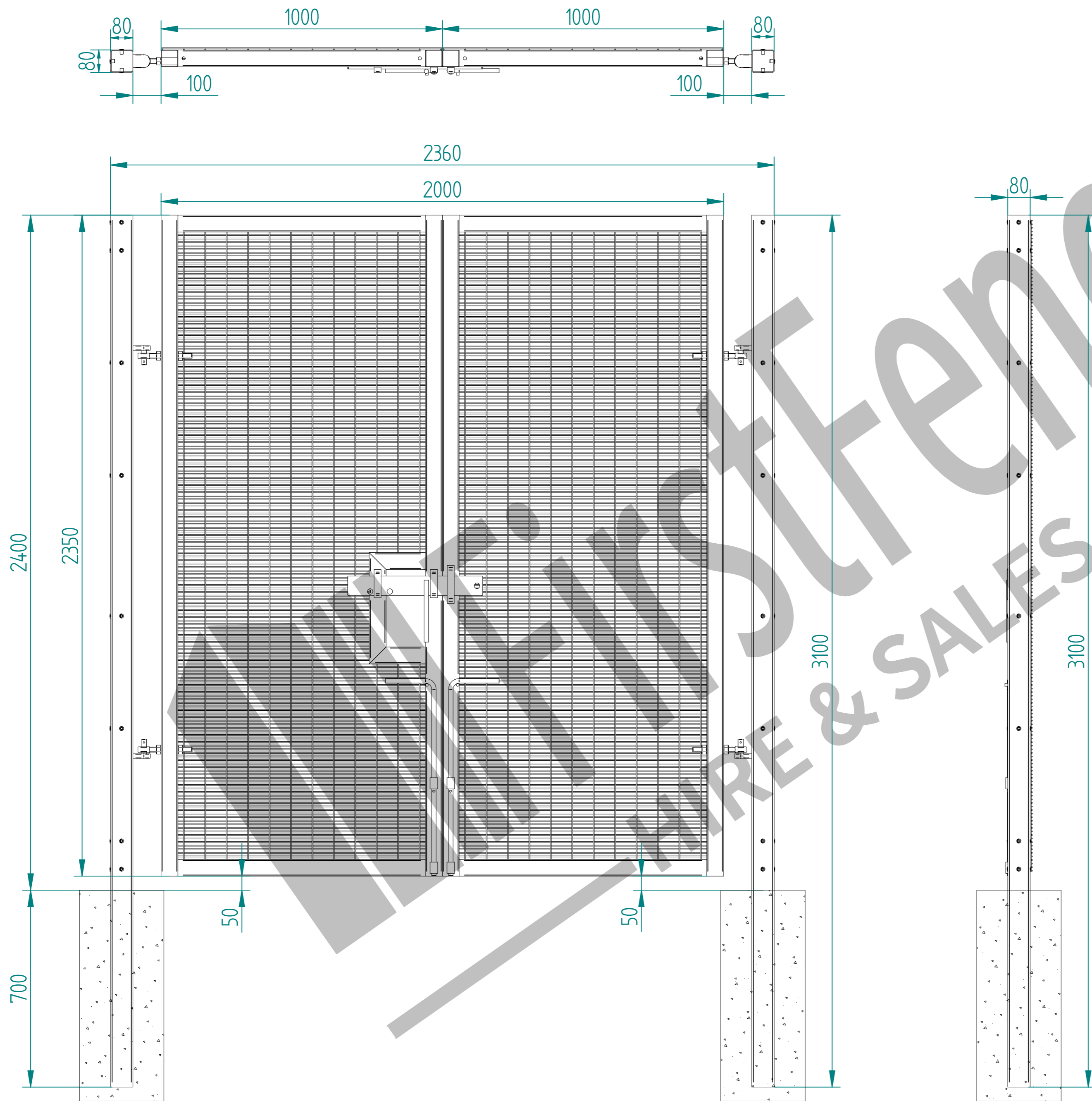
ALL GATES WITH 80x80/100x100/120x120 BOX SECTION HINGE POSTS ARE TO BE FITTED WITH TWO GALVANISED EYE BOLTS


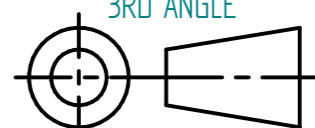


RIGHT HAND HUNG
(From Outside Looking In)

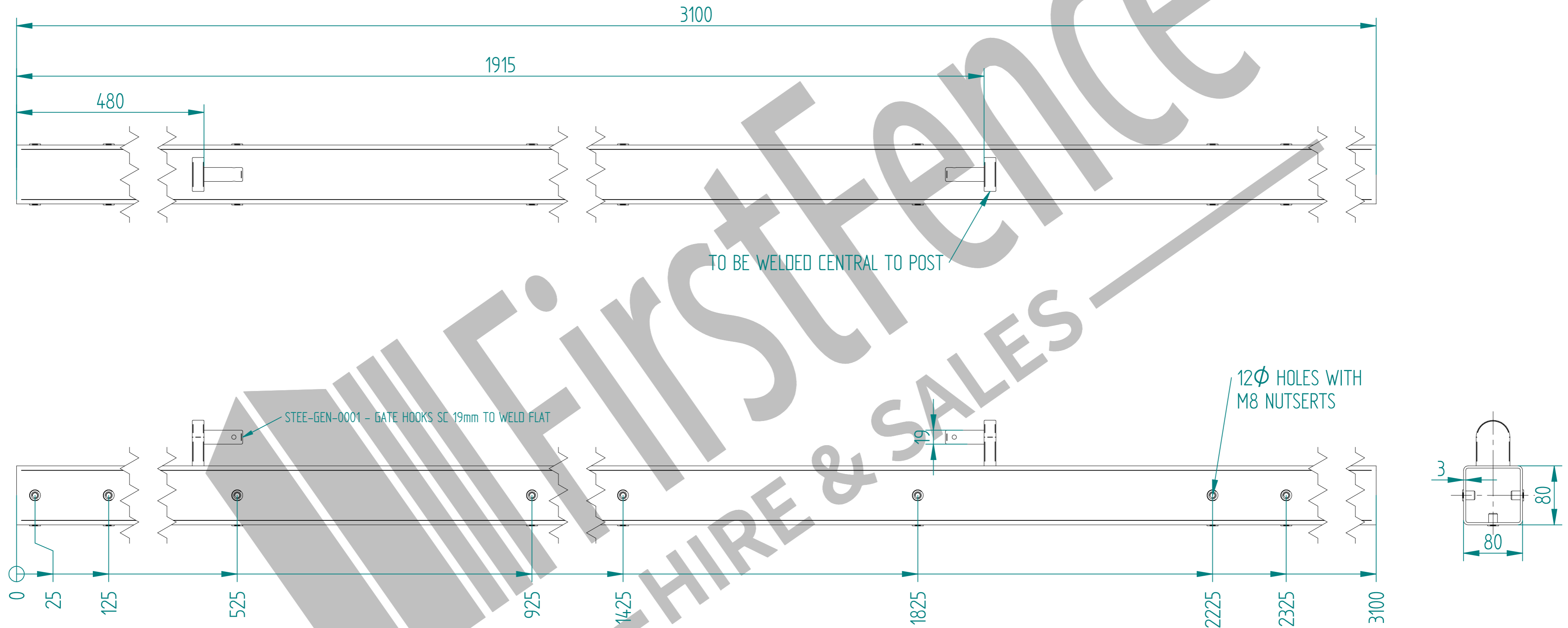
Item	Component Name	Quantity
A	MESH-SLI-4802 - 358 MESH GATE SLIDER 2.4m X 1.0m WIDE	1
B	MESH-CAT-4802 - 358 MESH GATE CATCH 2.4m X 1.0m WIDE	1
C	MESH-HIN-2402 - 2.4m HIGH DIG IN MESH HINGE GATE POST 80X80 BOX SECTION	2
D	ACCS-GEN-0001 - ADJUSTABLE GATE EYE BZP 130-150mm CW 20	4
E	ACCS-GEN-0101 - UNIVERSAL GATE DROP BOLT	2
F	ACCS-RIB-0003 - 60x60 BLACK RIBBED INSERTS	4
G	ACCS-RIB-0005 - 80x80 BLACK RIBBED INSERTS	2

NAME	DATE	TITLE
LT	07/03/22	MESH-KIT-8024 - 2.4m X 2.0m WIDE DOUBLE LEAF DIG IN 358 MESH GATE KIT
TOLERANCE	± 2mm Unless Stated Otherwise	First Fence Ltd, Kiln Way, Swadlincote, Derbyshire, DE11 8EA 01283 512 111 sales@firstfence.co.uk
3RD ANGLE	NOTE: SHOULD ANY DISCREPANCIES BE FOUND WITH THIS DRAWING, PLEASE INFORM FIRSTFENCE. COPYRIGHT OF THIS DRAWING IS OWNED BY FIRSTFENCE LIMITED.	SIZE A2 REV A WEIGHT: 144.0 kg SHEET 1 OF 6



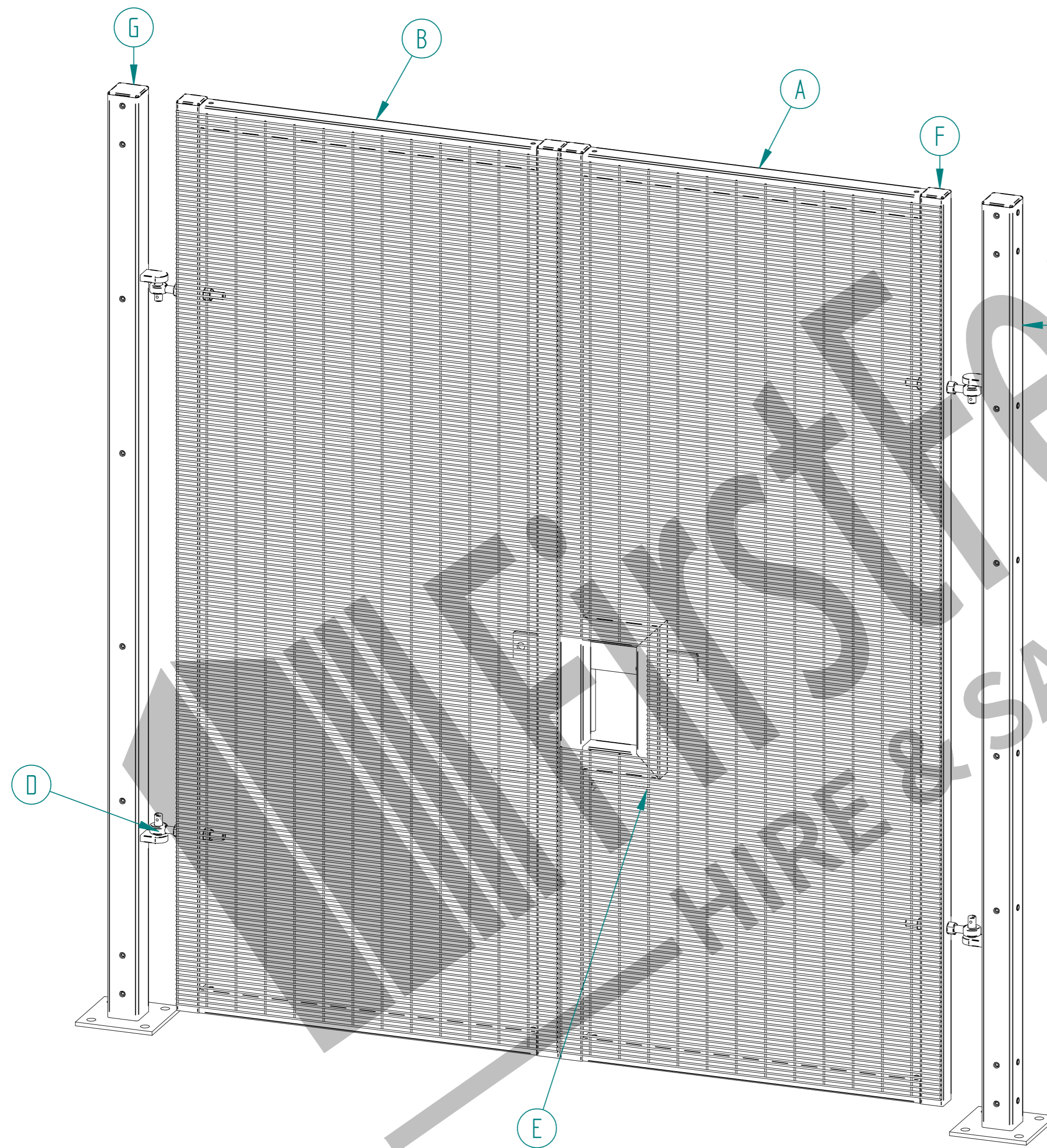
	NAME	DATE	TITLE
DRAWN	LT	07/03/22	MESH-KIT-8024 - 2.4m X 2.0m WIDE DOUBLE LEAF DIG IN 358 MESH GATE KIT
TOLERANCE	± 2mm Unless Stated Otherwise		 First Fence Ltd, Kiln Way, Swadlincote, Derbyshire, DE11 8EA 01283 512 111 sales@firstfence.co.uk
 3RD ANGLE			NOTE: SHOULD ANY DISCREPANCIES BE FOUND WITH THIS DRAWING, PLEASE INFORM FIRST FENCE COPYRIGHT OF THIS DRAWING IS OWNED BY FIRST FENCE LIMITED.
SIZE A2			REV A
WEIGHT: 144.0 kg			SHEET 2 OF 6

2.4m HIGH DIG IN MESH HINGE GATE POST 80X80 BOX SECTION (AL 3100mm)



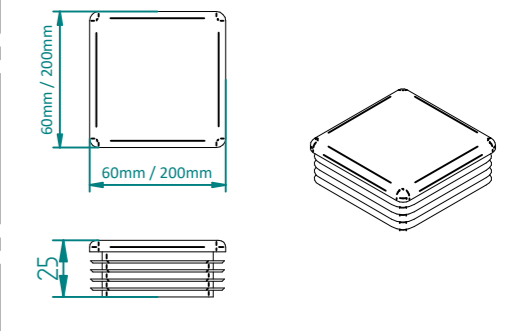
	NAME	DATE	TITLE
DRAWN	LT	07/03/22	MESH-HIN-2402 - 2.4m HIGH DIG IN MESH HINGE GATE POST 80X80 BOX SECTION
TOLERANCE	± 2mm Unless Stated Otherwise		First Fence Ltd, Kiln Way, Swadlincote, Derbyshire, DE11 8EA 01283 512 111 sales@firstfence.co.uk
3RD ANGLE			NOTE: SHOULD ANY DISCREPANCIES BE FOUND WITH THIS DRAWING, PLEASE INFORM FIRST FENCE. COPYRIGHT OF THIS DRAWING IS OWNED BY FIRST FENCE LIMITED.
SIZE A2			REV A
WEIGHT: 22.0 kg			SHEET 3 OF 6

2.4m X 2.0m WIDE DOUBLE LEAF BOLT DOWN 358 MESH GATE KIT

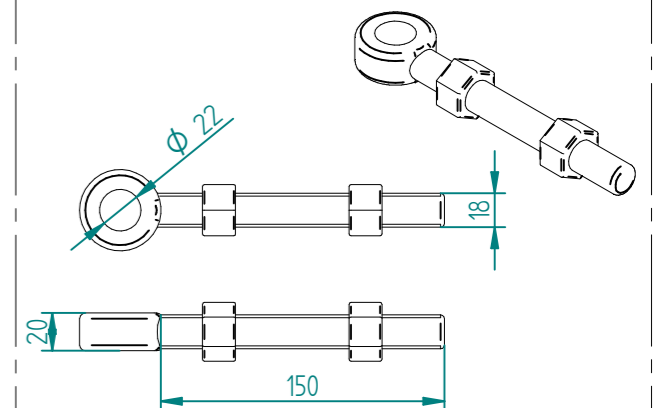


RIGHT HAND HUNG
(From Outside Looking In)

ALL GATES & POSTS ARE TO BE FITTED WITH BLACK PLASTIC INSERTS

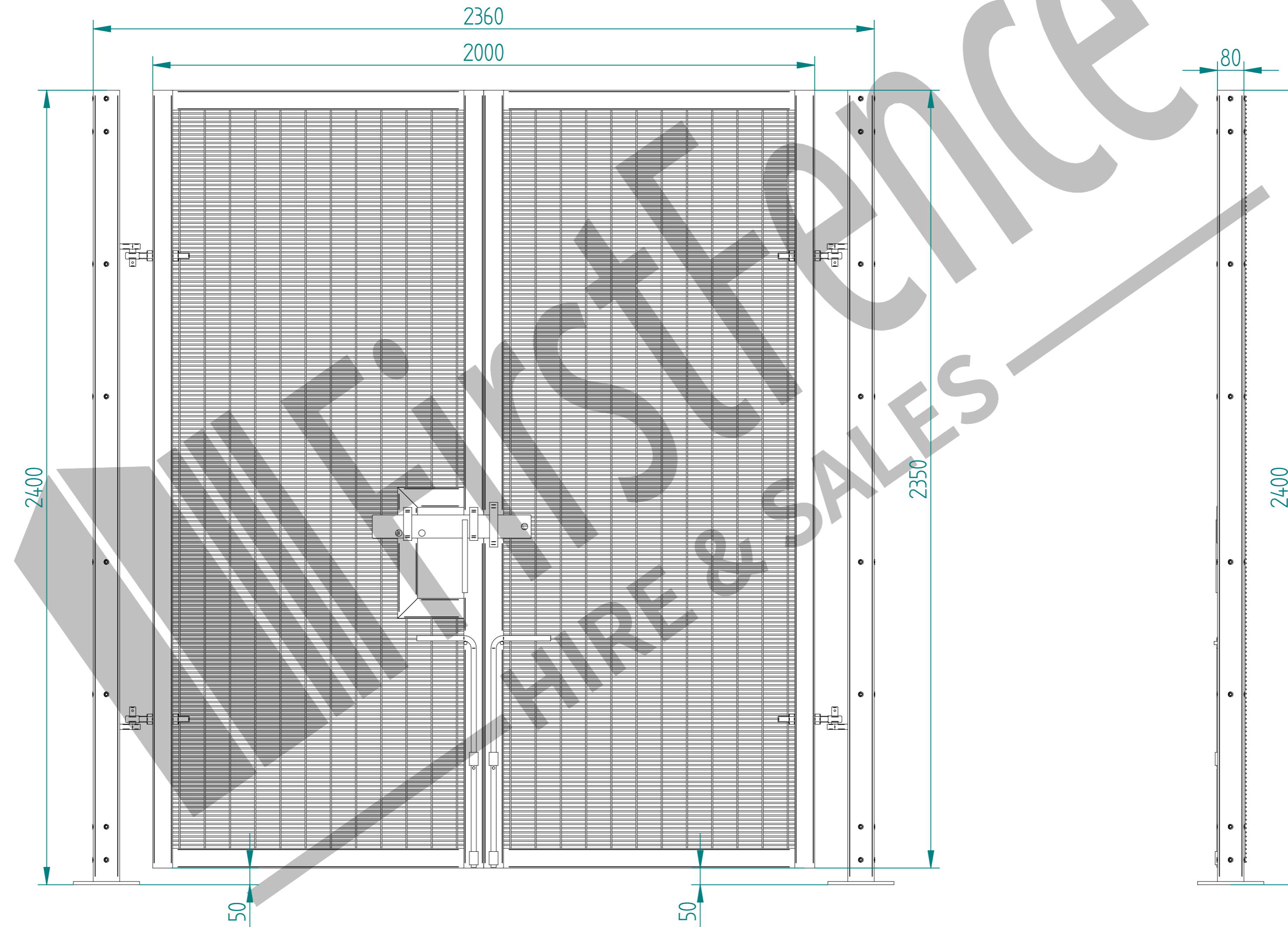
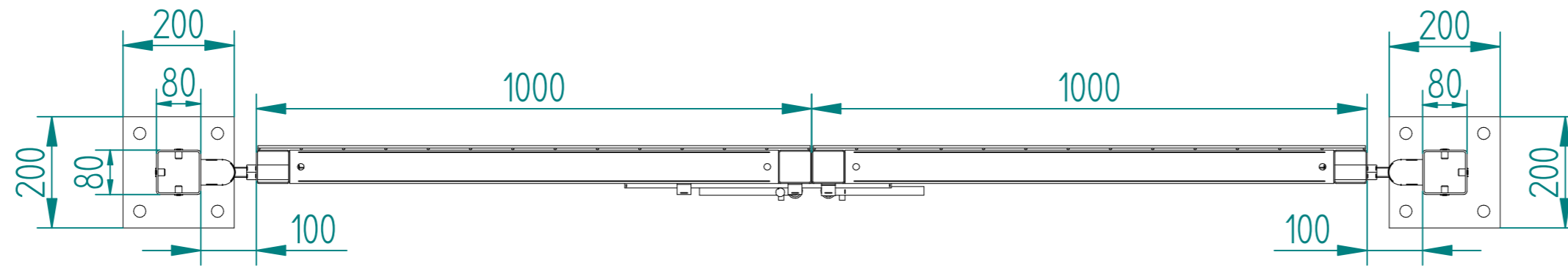


ALL GATES WITH 80x80/100x100/120x120 BOX SECTION HINGE POSTS ARE TO BE FITTED WITH TWO GALVANISED EYE BOLTS



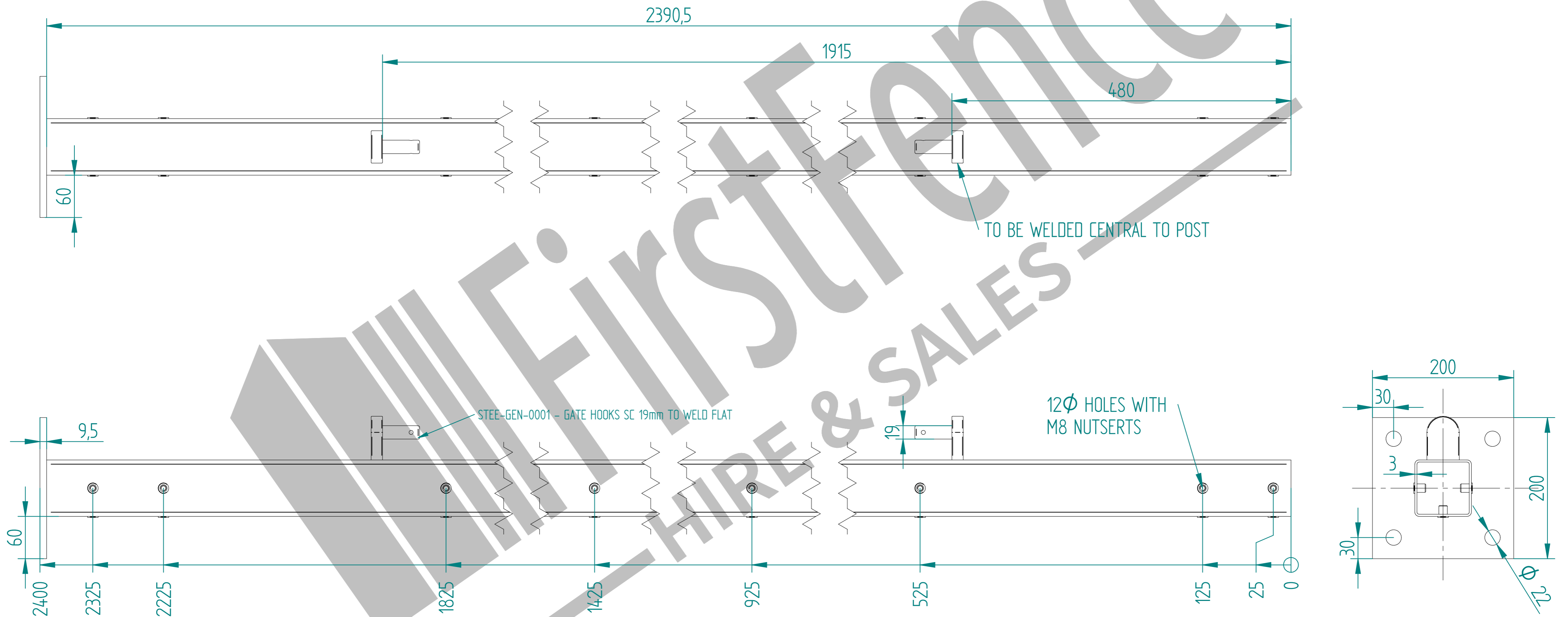
Item	Component Name	Quantity
A	MESH-SLI-4802 - 358 MESH GATE SLIDER 2.4m X 1.0m WIDE	1
B	MESH-CAT-4802 - 358 MESH GATE CATCH 2.4m X 1.0m WIDE	1
C	MESH-HIN-2412 - 2.4m HIGH BOLT DOWN MESH HINGE GATE POST 80X80 BOX SECTION	2
D	ACCS-GEN-0001 - ADJUSTABLE GATE EYE BZP 130-150mm CW 20	4
E	ACCS-GEN-0101 - UNIVERSAL GATE DROP BOLT	2
F	ACCS-RIB-0003 - 60x60 BLACK RIBBED INSERTS	4
G	ACCS-RIB-0005 - 80x80 BLACK RIBBED INSERTS	2

NAME	DATE	TITLE
LT	07/03/22	MESH-KIT-8025 - 2.4m X 2.0m WIDE DOUBLE LEAF BOLT DOWN 358 MESH GATE KIT
TOLERANCE ± 2mm Unless Stated Otherwise		First Fence Ltd, Kiln Way, Swadlincote, Derbyshire, DE11 8EA 01283 512 111 sales@firstfence.co.uk
3RD ANGLE		NOTE: SHOULD ANY DISCREPANCIES BE FOUND WITH THIS DRAWING, PLEASE INFORM FIRSTFENCE. COPYRIGHT OF THIS DRAWING IS OWNED BY FIRSTFENCE LIMITED. SIZE A2 WEIGHT: 139.8 kg
		REV A



	NAME	DATE	TITLE
DRAWN	LT	07/03/22	MESH-KIT-8025 - 2.4m X 2.0m WIDE DOUBLE LEAF BOLT DOWN 358 MESH GATE KIT
TOLERANCE	± 2mm Unless Stated Otherwise		First Fence Ltd, Kiln Way, Swadincote, Derbyshire, DE11 8EA 01283 512 111 sales@firstfence.co.uk
3RD ANGLE			
SIZE A2			WEIGHT: 139.8 kg REV A SHEET 5 OF 6

2.4m HIGH BOLT DOWN MESH HINGE GATE POST 80X80 BOX SECTION



	NAME	DATE	TITLE
DRAWN	LT	07/03/22	MESH-HIN-2412 - 2.4m HIGH BOLT DOWN MESH HINGE GATE POST 80X80 BOX SECTION
TOLERANCE	± 2mm Unless Stated Otherwise		First Fence Ltd, Kiln Way, Swadlincote, Derbyshire, DE11 8EA 01283 512 111 sales@firstfence.co.uk
3RD ANGLE 			NOTE: SHOULD ANY DISCREPANCIES BE FOUND WITH THIS DRAWING, PLEASE INFORM FIRSTFENCE. COPYRIGHT OF THIS DRAWING IS OWNED BY FIRSTFENCE LIMITED. SIZE A2 WEIGHT: 17.0 kg
			REV A
			SHEET 6 OF 6