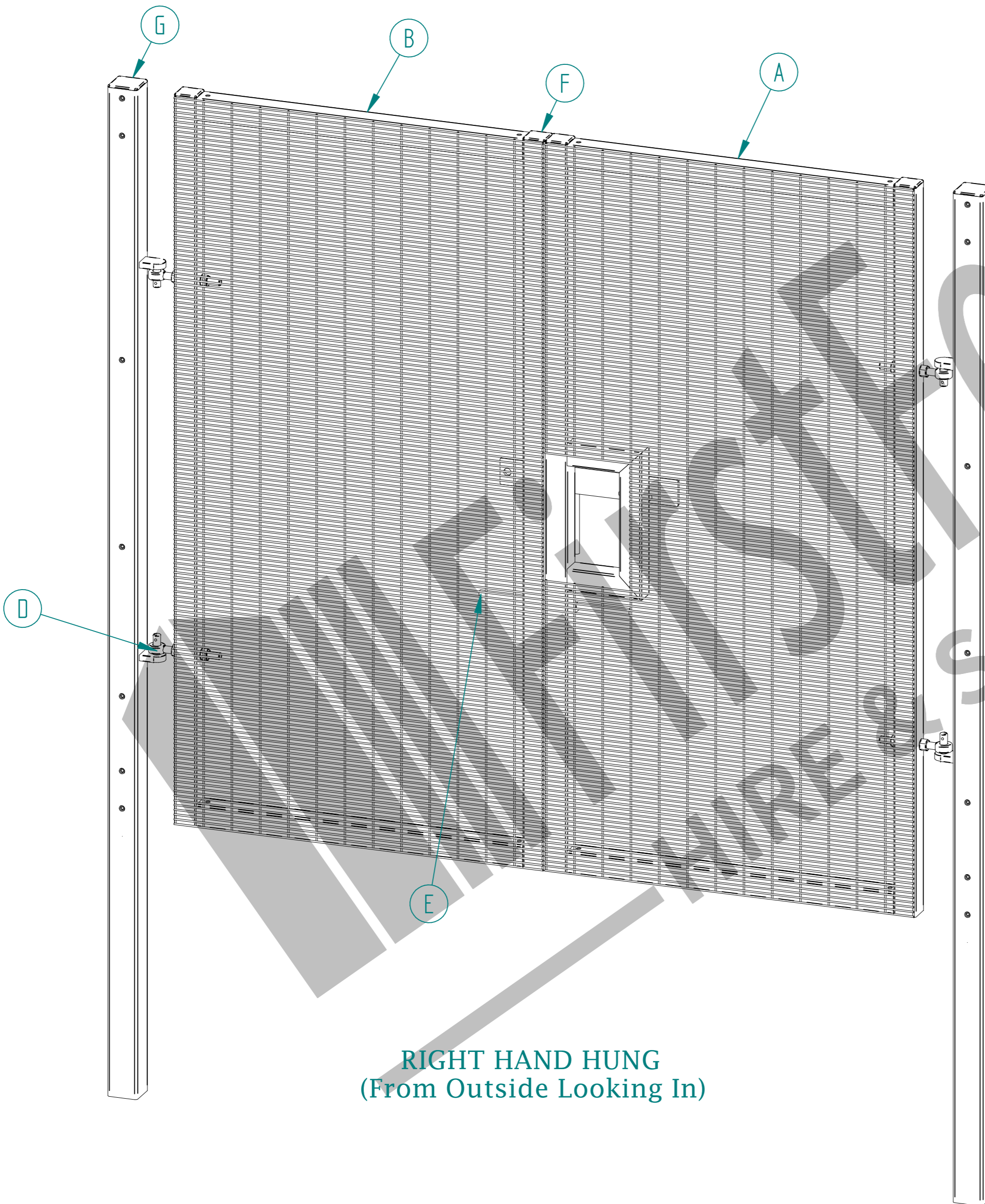
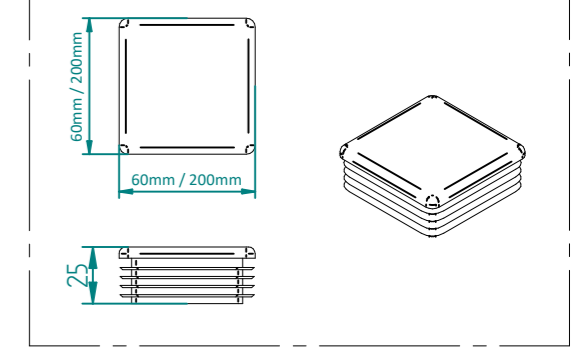


2.0m X 2.0m WIDE DOUBLE LEAF DIG IN 358 MESH GATE KIT

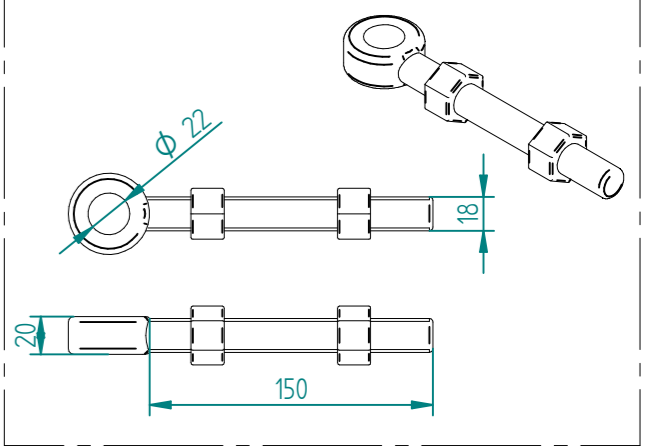


RIGHT HAND HUNG
(From Outside Looking In)

ALL GATES & POSTS ARE TO BE FITTED WITH BLACK PLASTIC INSERTS

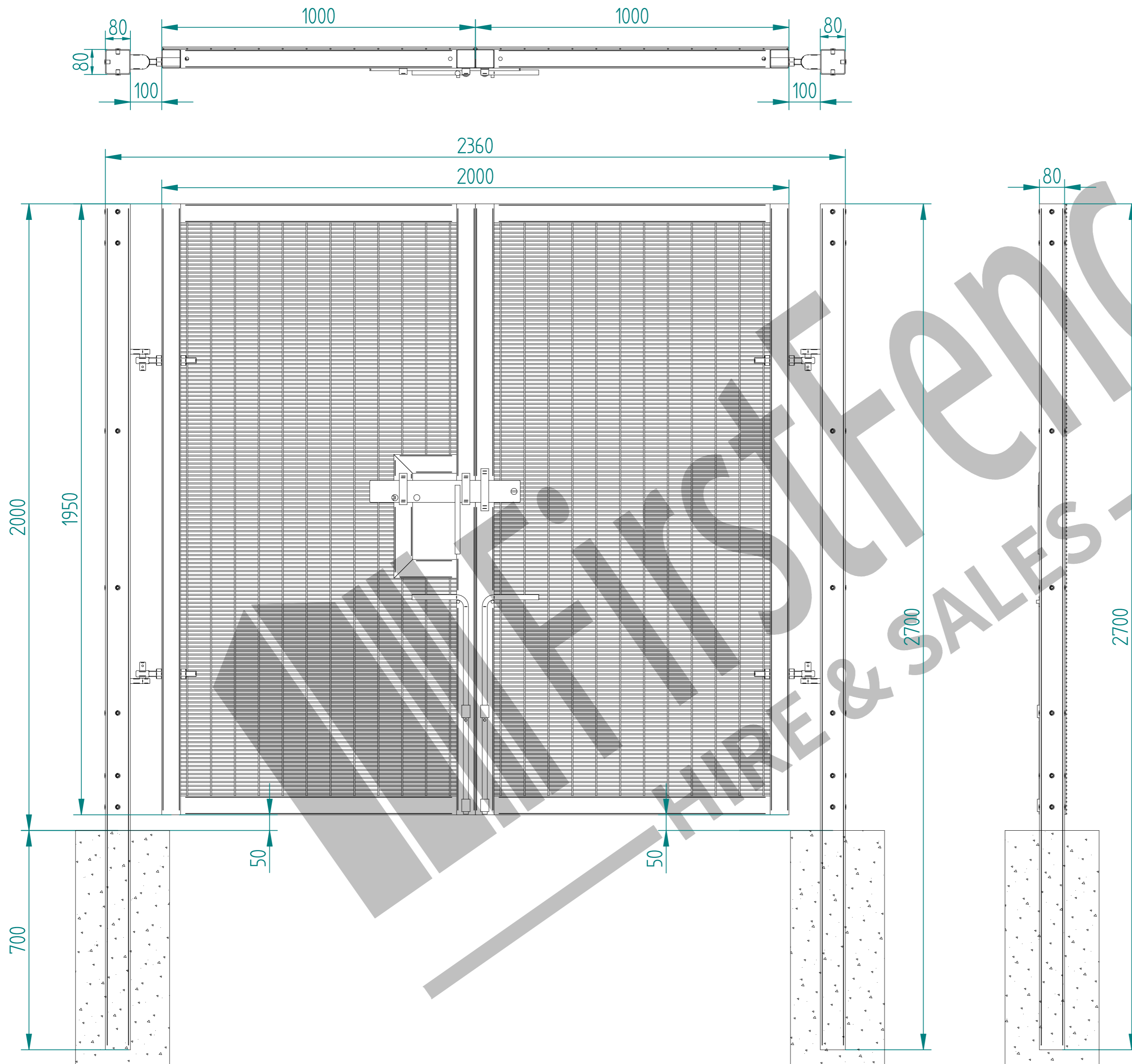


ALL GATES WITH 80x80/100x100/120x120 BOX SECTION HINGE POSTS ARE TO BE FITTED WITH TWO GALVANISED EYE BOLTS



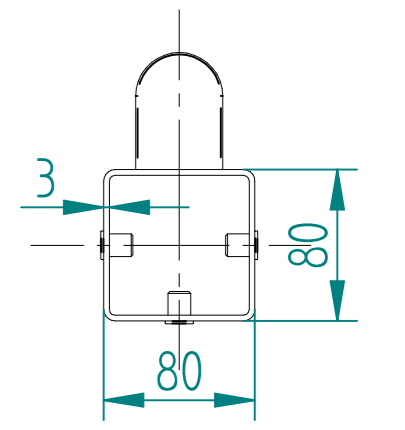
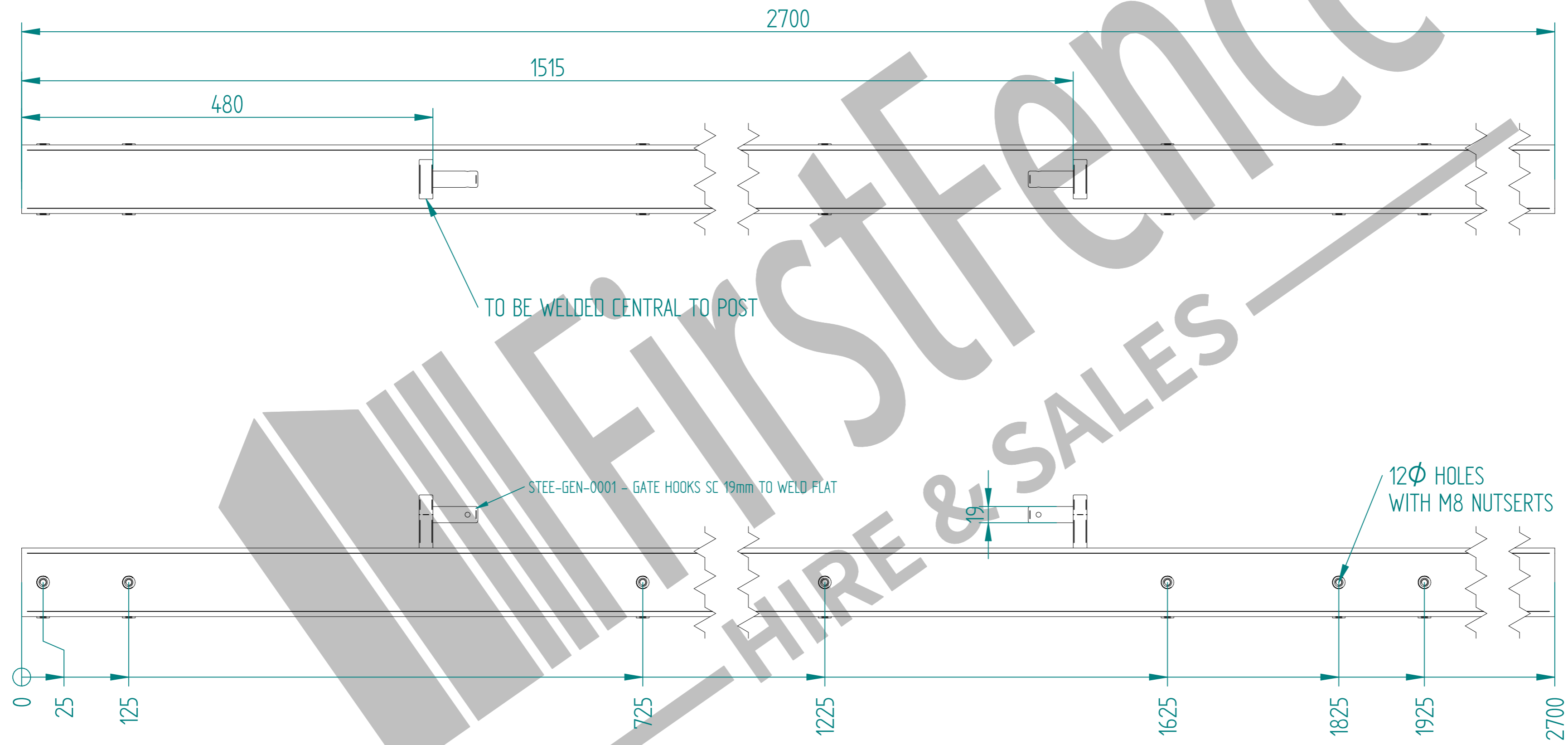
Item	Component Name	Quantity
A	MESH-SLI-4002 - 358 MESH GATE SLIDER 2.0m X 1.0m WIDE	1
B	MESH-CAT-4002 - 358 MESH GATE CATCH 2.0m X 1.0m WIDE	1
C	MESH-HIN-2002 - 2.0m HIGH DIG IN MESH HINGE GATE POST 80X80 BOX SECTION	2
D	ACCS-GEN-0001 - ADJUSTABLE GATE EYE BZP 130-150mm CW 20	4
E	ACCS-GEN-0101 - UNIVERSAL GATE DROP BOLT	2
F	ACCS-RIB-0003 - 60x60 BLACK RIBBED INSERTS	4
G	ACCS-RIB-0005 - 80x80 BLACK RIBBED INSERTS	2

NAME	DATE	TITLE
LT	28/02/22	MESH-KIT-8014 - 2.0m X 2.0m WIDE DOUBLE LEAF DIG IN 358 MESH GATE KIT
TOLERANCE	± 2mm Unless Stated Otherwise	First Fence Ltd, Kiln Way, Swadincote, Derbyshire, DE11 8EA 01283 512 111 sales@firstfence.co.uk
3RD ANGLE	SIZE A2 NOTE: SHOULD ANY DISCREPANCIES BE FOUND WITH THIS DRAWING, PLEASE INFORM FIRSTFENCE. COPYRIGHT OF THIS DRAWING IS OWNED BY FIRSTFENCE LIMITED.	REV A WEIGHT: 125.9 kg SHEET 1 OF 6



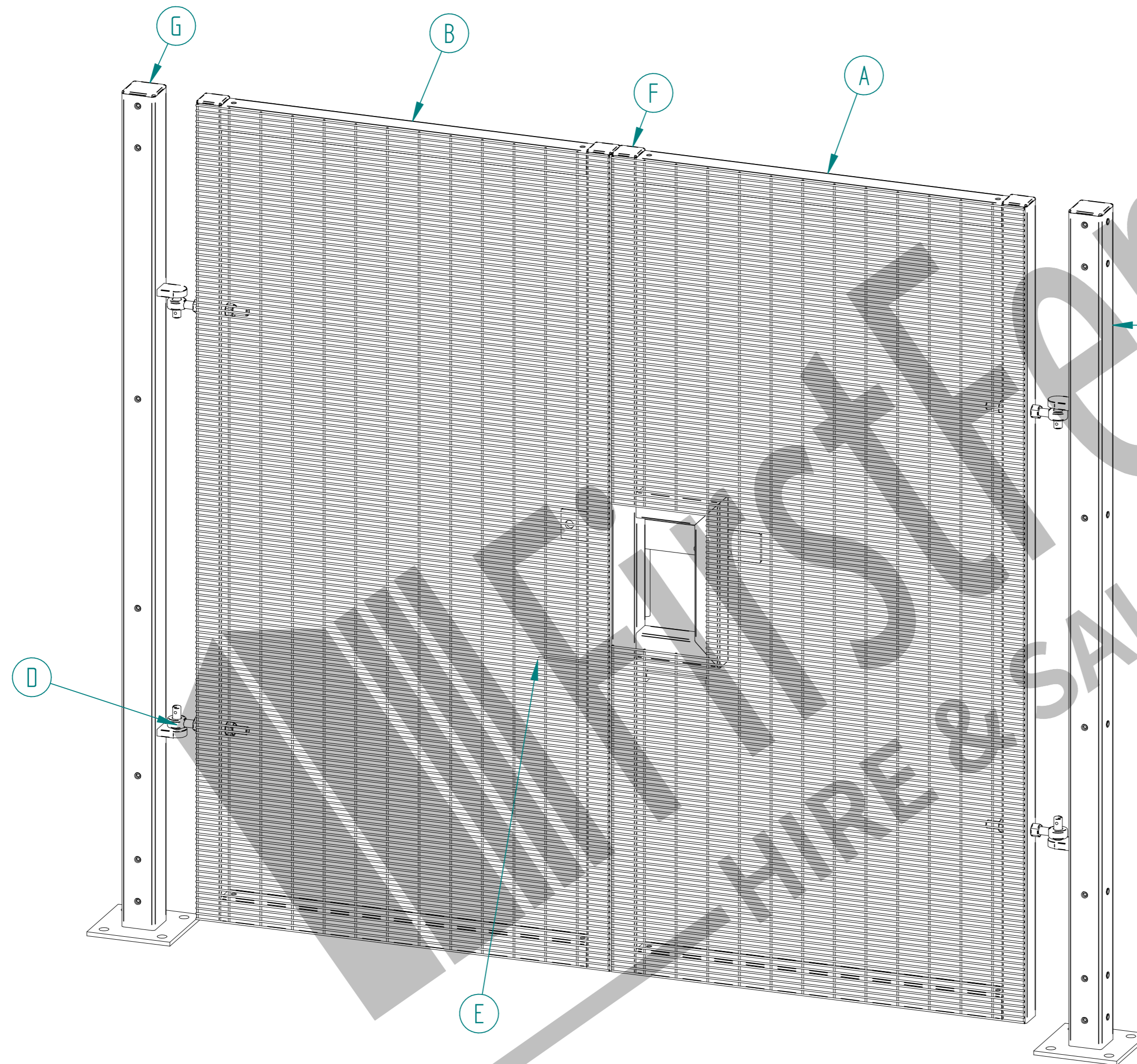
DRAWN	NAME	DATE	TITLE
LT	LT	28/02/22	MESH-KIT-8014 - 2.0m X 2.0m WIDE DOUBLE LEAF DIG IN 358 MESH GATE KIT
TOLERANCE	± 2mm Unless Stated Otherwise		First Fence Ltd, Kiln Way, Swadlincote, Derbyshire, DE11 8EA 01283 512 111 sales@firstfence.co.uk
3RD ANGLE			NOTE: SHOULD ANY DISCREPANCIES BE FOUND WITH THIS DRAWING, PLEASE INFORM FIRST FENCE COPYRIGHT OF THIS DRAWING IS OWNED BY FIRST FENCE LIMITED.
SIZE A2			REV A
WEIGHT: 125.9 kg			SHEET 2 OF 6

2.0m HIGH DIG IN MESH HINGE GATE POST 80X80 BOX SECTION (AL 2700mm)



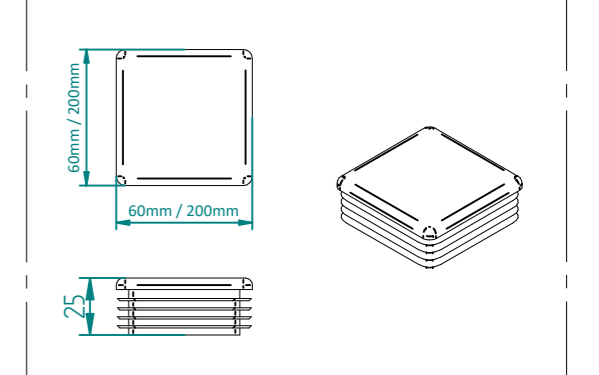
	NAME	DATE	TITLE
DRAWN	LT	28/02/22	MESH-HIN-2002 - 2.0m HIGH DIG IN MESH HINGE GATE POST 80X80 BOX SECTION
TOLERANCE	± 2mm Unless Stated Otherwise		First Fence Ltd, Kiln Way, Swadincote, Derbyshire, DE11 8EA 01283 512 111 sales@firstfence.co.uk
3RD ANGLE 			NOTE: SHOULD ANY DISCREPANCIES BE FOUND WITH THIS DRAWING, PLEASE INFORM FIRSTFENCE. COPYRIGHT OF THIS DRAWING IS OWNED BY FIRSTFENCE LIMITED. SIZE A2 WEIGHT: 19.2 kg
			REV A
			SHEET 3 OF 6

2.0m X 2.0m WIDE DOUBLE LEAF BOLT DOWN 358 MESH GATE KIT

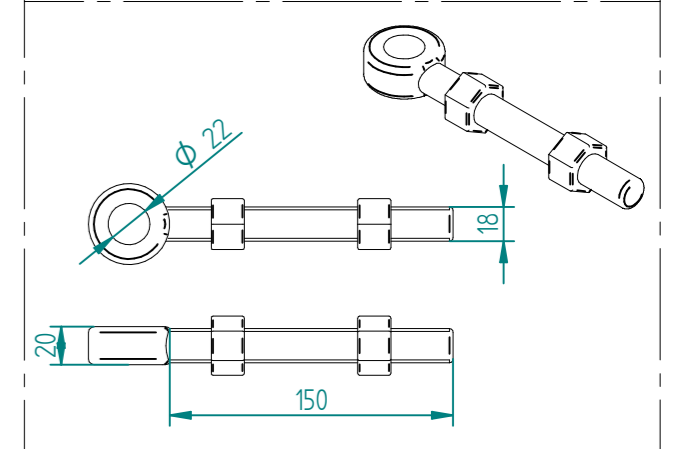


RIGHT HAND HUNG
(From Outside Looking In)

ALL GATES & POSTS ARE TO BE FITTED WITH BLACK PLASTIC INSERTS

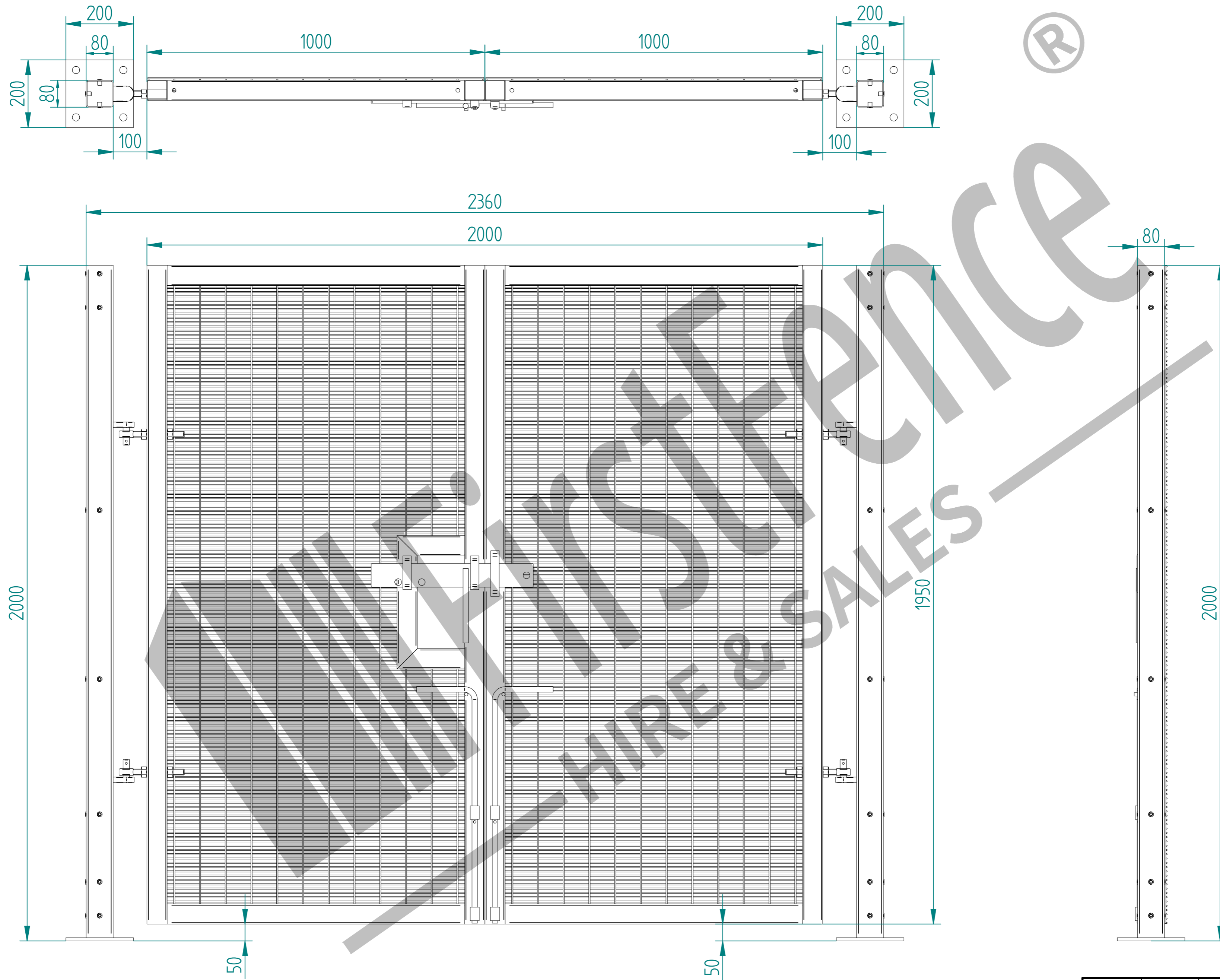


ALL GATES WITH 80x80/100x100/120x120 BOX SECTION HINGE POSTS ARE TO BE FITTED WITH TWO GALVANISED EYE BOLTS



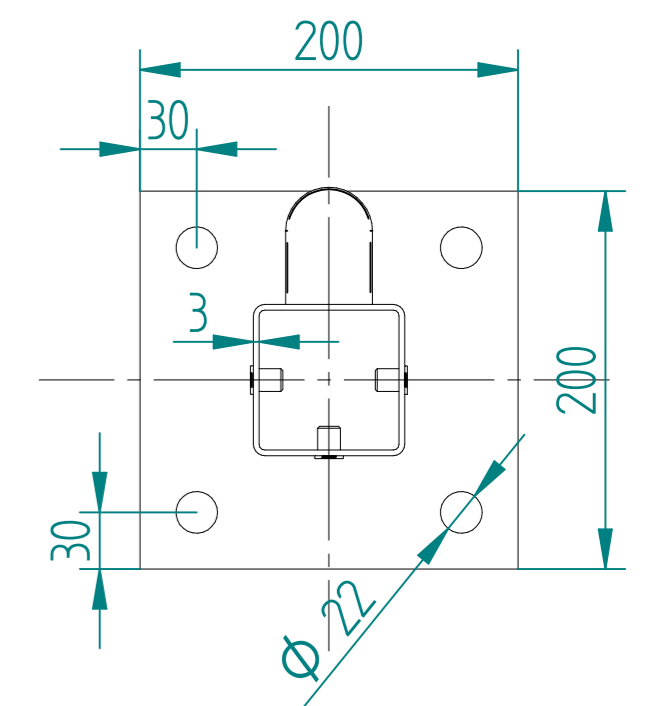
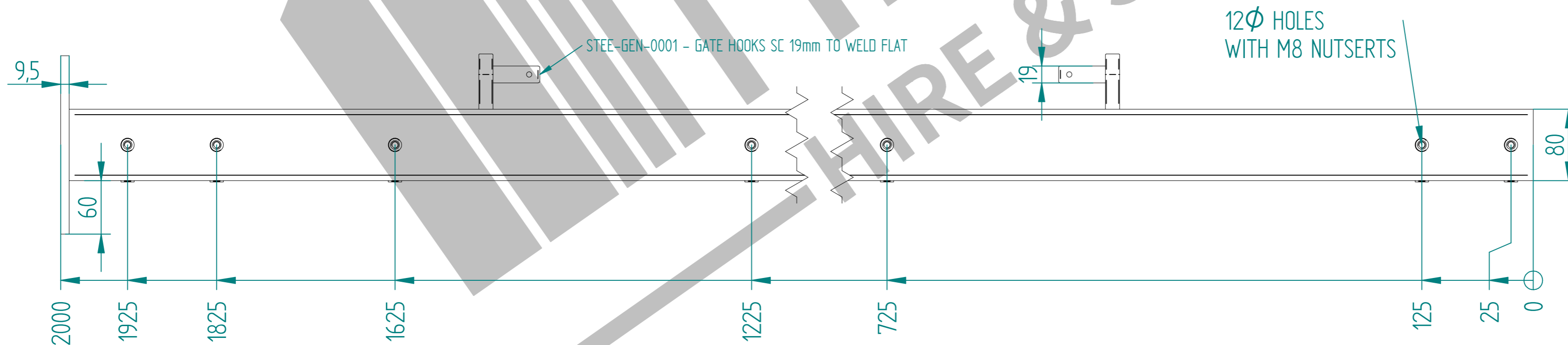
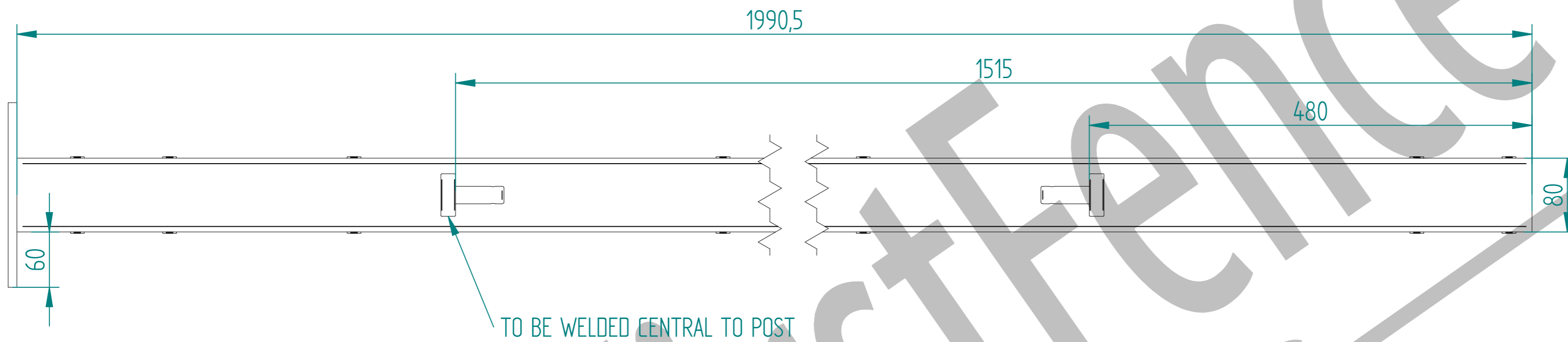
Item	Component Name	Quantity
A	MESH-SLI-4002 - 358 MESH GATE SLIDER 2.0m X 1.0m WIDE	1
B	MESH-CAT-4002 - 358 MESH GATE CATCH 2.0m X 1.0m WIDE	1
C	MESH-HIN-2012 - 2.0m HIGH BOLT DOWN MESH HINGE GATE POST 80X80 BOX SECTION	2
D	ACCES-GEN-0001 - ADJUSTABLE GATE EYE BZP 130-150mm CW 20	4
E	ACCES-GEN-0101 - UNIVERSAL GATE DROP BOLT	2
F	ACCES-RIB-0003 - 60x60 BLACK RIBBED INSERTS	4
G	ACCES-RIB-0005 - 80x80 BLACK RIBBED INSERTS	2

NAME	DATE	TITLE
LT	28/02/22	MESH-KIT-8015 - 2.0m X 2.0m WIDE DOUBLE LEAF BOLT DOWN 358 MESH GATE KIT
TOLERANCE	± 2mm Unless Stated Otherwise	3RD ANGLE
NOTE	SHOULD ANY DISCREPANCIES BE FOUND WITH THIS DRAWING, PLEASE INFORM FIRSTFENCE. COPYRIGHT OF THIS DRAWING IS OWNED BY FIRSTFENCE LIMITED.	REV A
SIZE	A2	WEIGHT: 121.6 kg
FirstFence® First Fence Ltd, Kiln Way, Swadlincote, Derbyshire, DE11 8EA 01283 512 111 sales@firstfence.co.uk		SHEET 4 OF 6



	NAME	DATE	TITLE
DRAWN	LT	28/02/22	MESH-KIT-8015 - 2.0m X 2.0m WIDE DOUBLE LEAF BOLT DOWN 358 MESH GATE KIT
TOLERANCE	± 2mm Unless Stated Otherwise		First Fence Ltd, Kiln Way, Swadincote, Derbyshire, DE11 8EA 01283 512 111 sales@firstfence.co.uk
	3RD ANGLE		
SIZE	A2		REV A
WEIGHT: 121.6 kg			SHEET 5 OF 6

2.0m HIGH BOLT DOWN MESH HINGE GATE POST 80X80 BOX SECTION



	NAME	DATE	TITLE
DRAWN	LT	28/02/22	MESH-HIN-2012 - 2.0m HIGH BOLT DOWN MESH HINGE GATE POST 80X80 BOX SECTION
TOLERANCE	± 2mm Unless Stated Otherwise		First Fence Ltd, Kiln Way, Swadlincote, Derbyshire, DE11 8EA 01283 512 111 sales@firstfence.co.uk
3RD ANGLE			
			REV A
			SHEET 6 OF 6