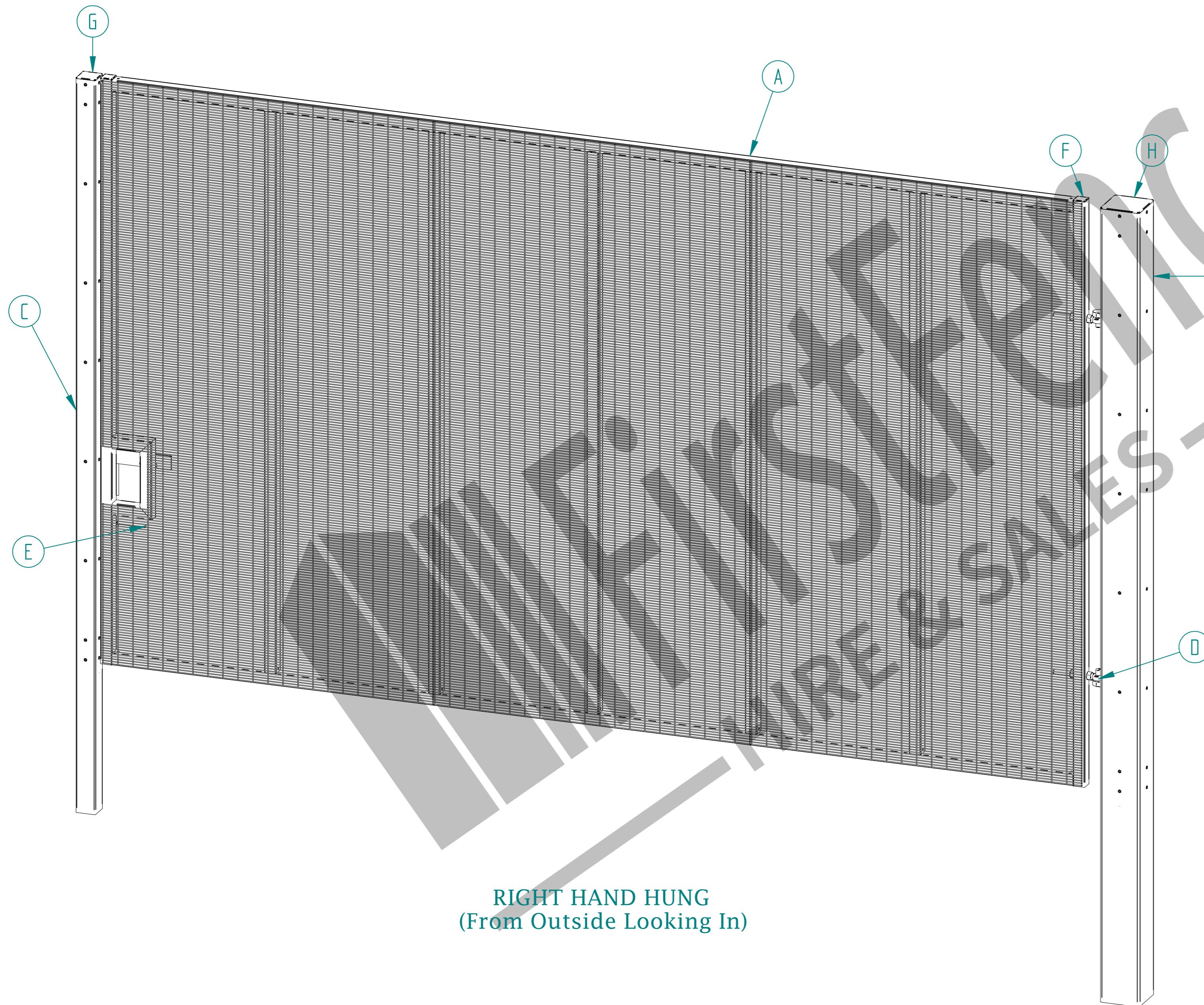
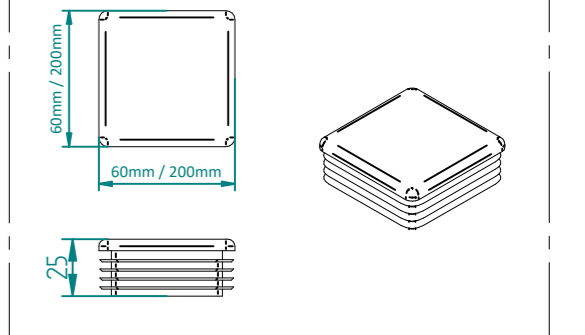


3.0m X 5.0m WIDE SINGLE LEAF DIG IN 358 MESH GATE KIT

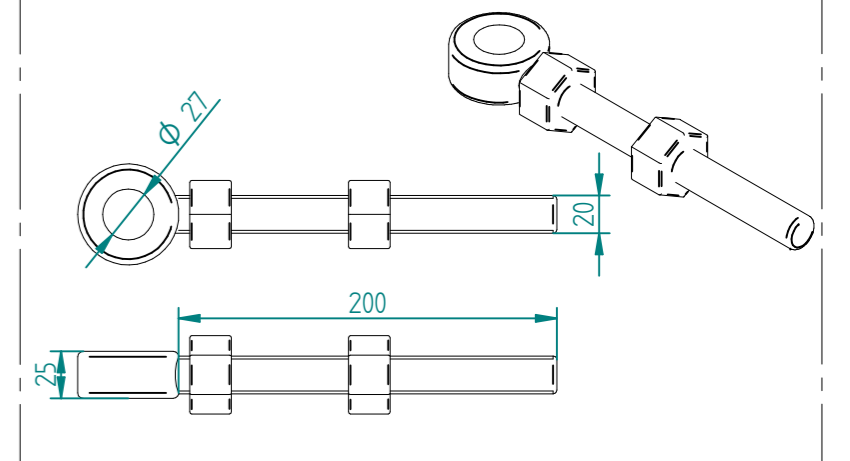


RIGHT HAND HUNG
(From Outside Looking In)

ALL GATES & POSTS ARE TO BE FITTED WITH BLACK PLASTIC INSERTS

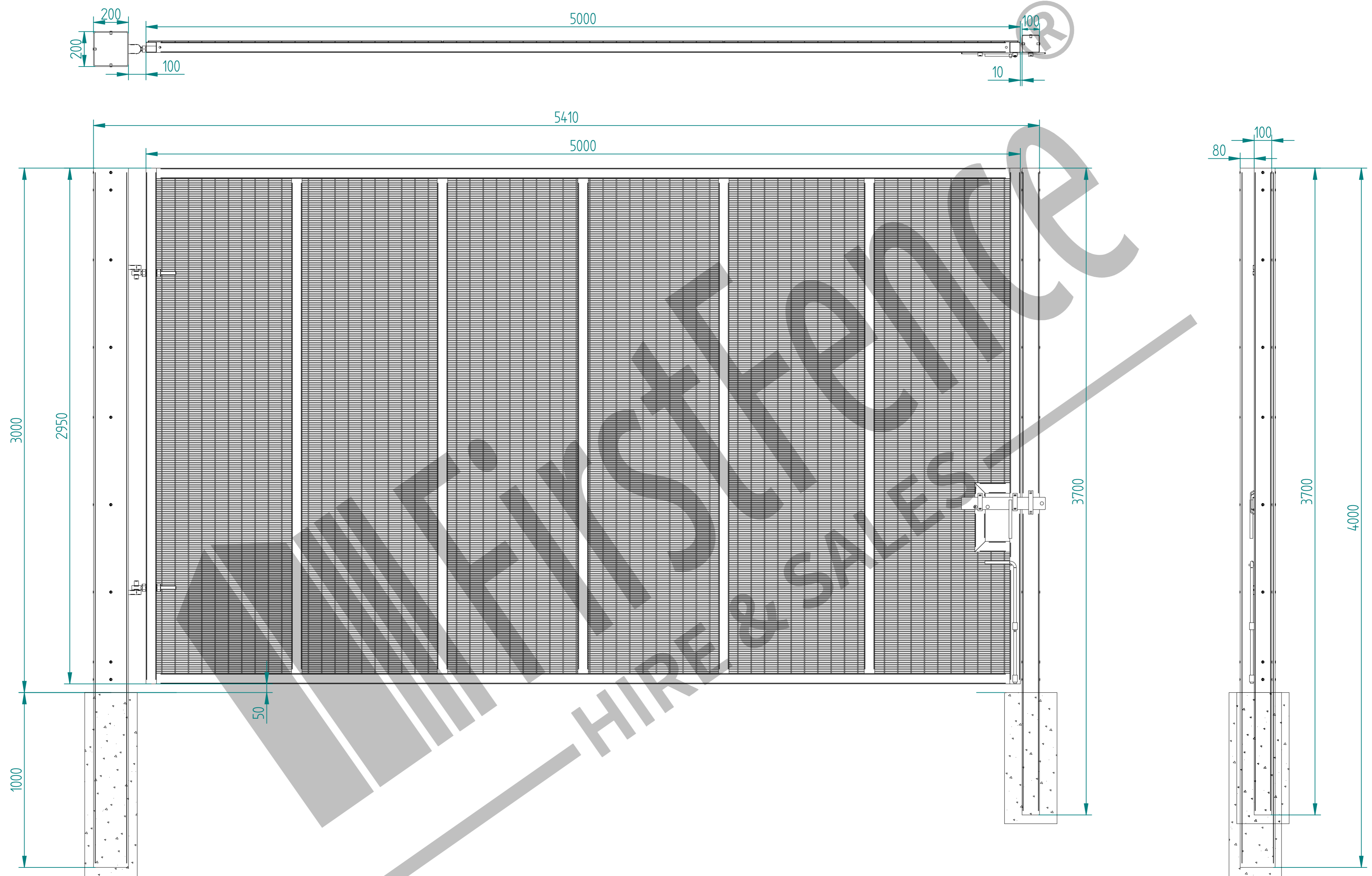


ALL GATES WITH 150x150 / 200x200 BOX SECTION HINGE POSTS ARE TO BE FITTED WITH TWO GALVANISED EYE BOLTS



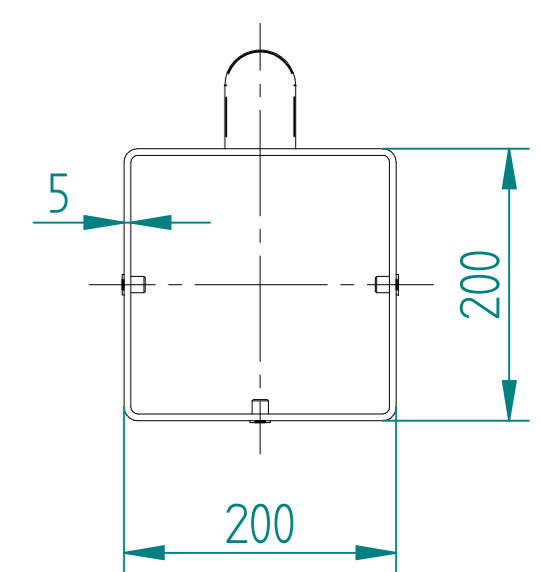
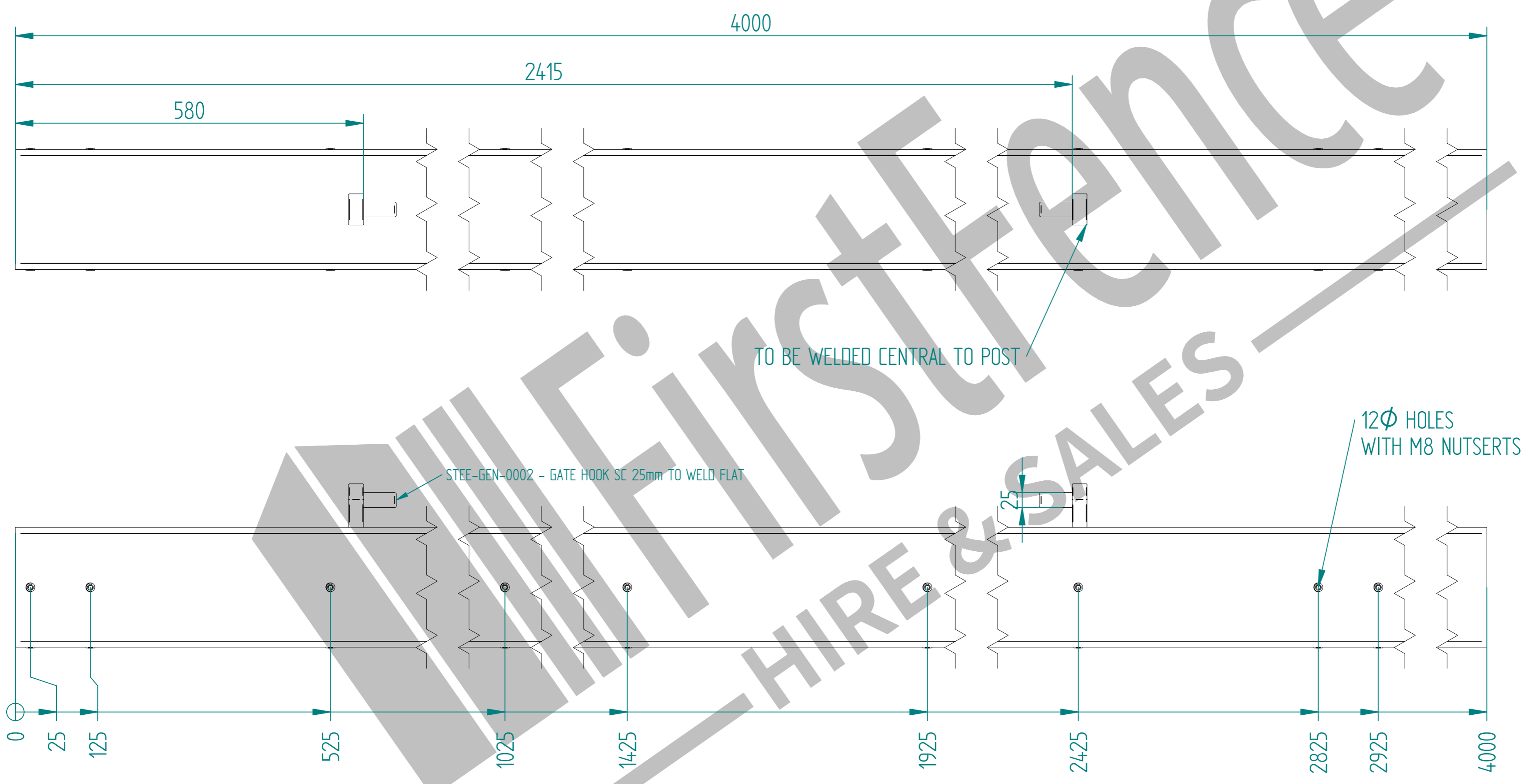
Item	Component Name	Quantity
A	MESH-SLI-6092 - 358 MESH GATE SLIDER 3.0m X 5.0m WIDE	1
B	MESH-HIN-3062 - 3.0m HIGH DIG IN MESH HINGE GATE POST 200X200 BOX SECTION	1
C	MESH-REC-3012 - 3.0m HIGH DIG IN MESH CATCH GATE POST 100X100 BOX SECTION	1
D	ACCS-GEN-0002 - ADJUSTABLE GATE EYE G 200mm cw 25mm	2
E	ACCS-GEN-0101 - UNIVERSAL GATE DROP BOLT	1
F	ACCS-RIB-0003 - 60x60 BLACK RIBBED INSERTS	2
G	ACCS-RIB-0006 - 100X100 BLACK RIBBED INSERTS	1
H	ACCS-RIB-0008 - 200x200 BLACK RIBBED INSERTS	1

NAME	DATE	TITLE
LT	18/03/22	MESH-KIT-7434 - 3.0m X 5.0m WIDE SINGLE LEAF DIG IN 358 MESH GATE KIT
TOLERANCE ± 2mm Unless Stated Otherwise		First Fence Ltd, Kiln Way, Swadlincote, Derbyshire, DE11 8EA 01283 512 111 sales@firstfence.co.uk
3RD ANGLE		SIZE A2 WEIGHT: 402.9 kg SHEET 1 OF 8



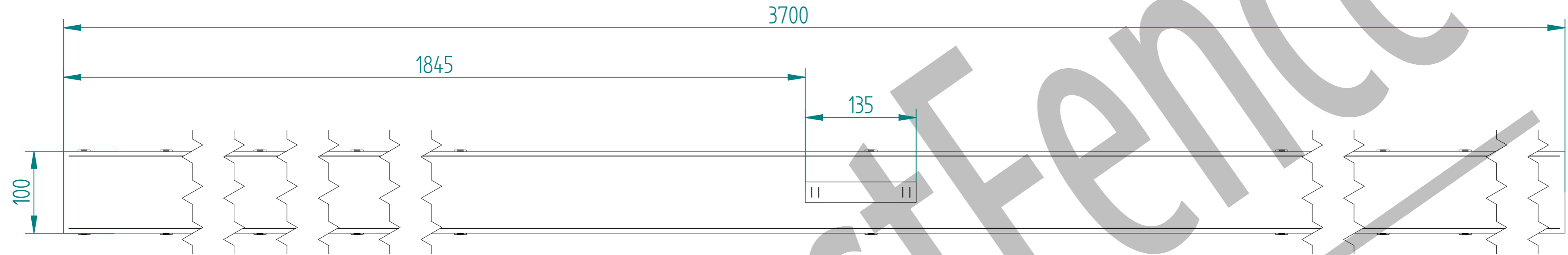
NAME	DATE	TITLE
LT	18/03/22	MESH-KIT-7434 - 3.0m X 5.0m WIDE SINGLE LEAF DIG IN 358 MESH GATE KIT
TOLERANCE ± 2mm Unless Stated Otherwise		First Fence® First Fence Ltd, Kiln Way, Swadlincote, Derbyshire, DE11 8EA 01283 512 111 sales@firstfence.co.uk
3RD ANGLE		NOTE: SHOULD ANY DISCREPANCIES BE FOUND WITH THIS DRAWING, PLEASE INFORM FIRST FENCE. COPYRIGHT OF THIS DRAWING IS OWNED BY FIRST FENCE LIMITED.
SIZE A2	REV A	WEIGHT: 402.9 kg SHEET 2 OF 8

3.0m HIGH DIG IN MESH HINGE GATE POST 200X200 BOX SECTION (AL 4000mm)



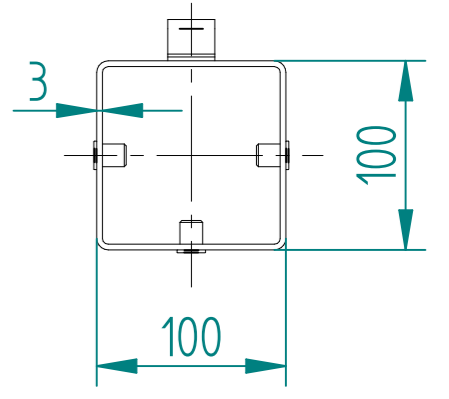
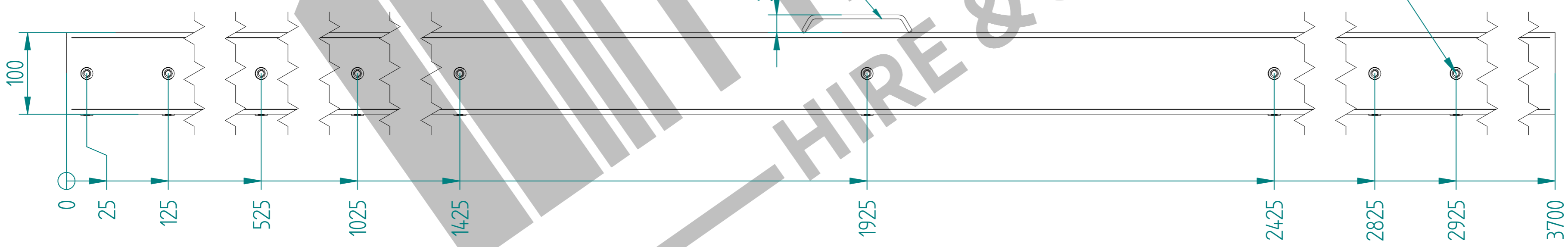
	NAME	DATE	TITLE
DRAWN	LT	18/03/22	MESH-HIN-3062 - 3.0m HIGH DIG IN MESH HINGE GATE POST 200X200 BOX SECTION
TOLERANCE	± 2mm Unless Stated Otherwise		First Fence Ltd, Kiln Way, Swadincote, Derbyshire, DE11 8EA 01283 512 111 sales@firstfence.co.uk
3RD ANGLE			
SIZE A2			REV A
WEIGHT: 122.1 kg			SHEET 3 OF 8

3.0m HIGH DIG IN MESH CATCH GATE POST 100X100 BOX SECTION (AL 3700mm)



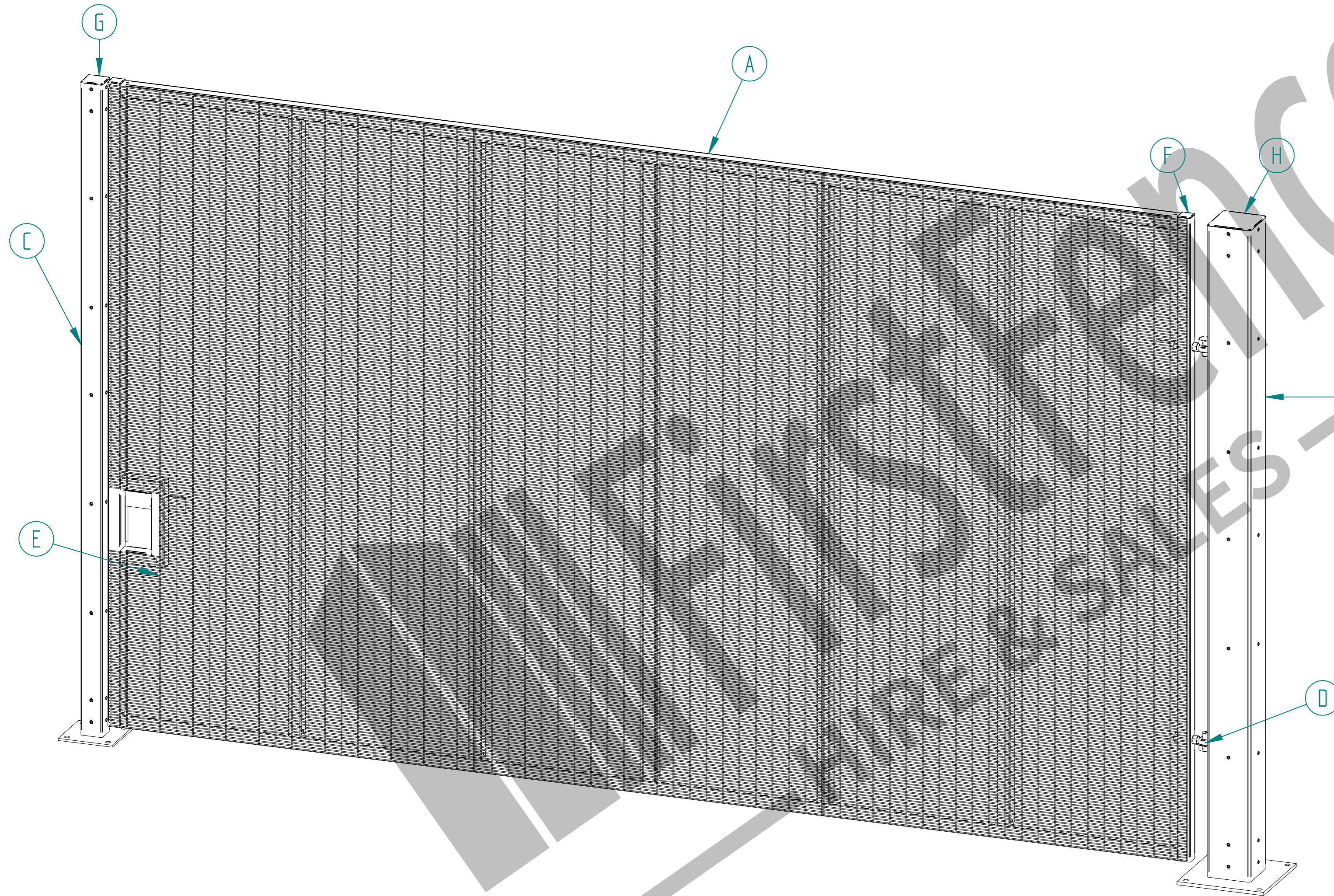
FABR-MIS-3101 - RECEIVER - TO WELD 135mm x 25mm x 5mm

12Ø HOLES WITH M8 NUTSERTS



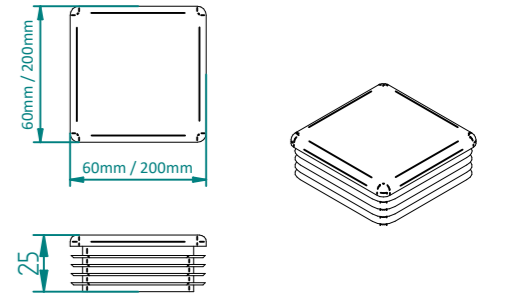
	NAME	DATE	TITLE
DRAWN	LT	18/03/22	MESH-REC-3012 - 3.0m HIGH DIG IN MESH CATCH GATE POST 100X100 BOX SECTION
TOLERANCE	± 2mm Unless Stated Otherwise		First Fence Ltd, Kiln Way, Swadlincote, Derbyshire, DE11 8EA 01283 512 111 sales@firstfence.co.uk
3RD ANGLE 			
			REV A
			SHEET 4 OF 8

3.0m X 5.0m WIDE SINGLE LEAF BOLT DOWN 358 MESH GATE KIT

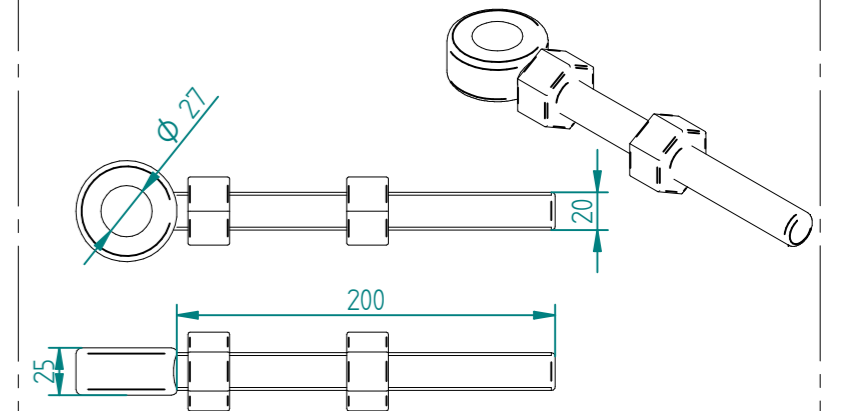


RIGHT HAND HUNG
(From Outside Looking In)

ALL GATES & POSTS ARE TO BE FITTED WITH BLACK PLASTIC INSERTS

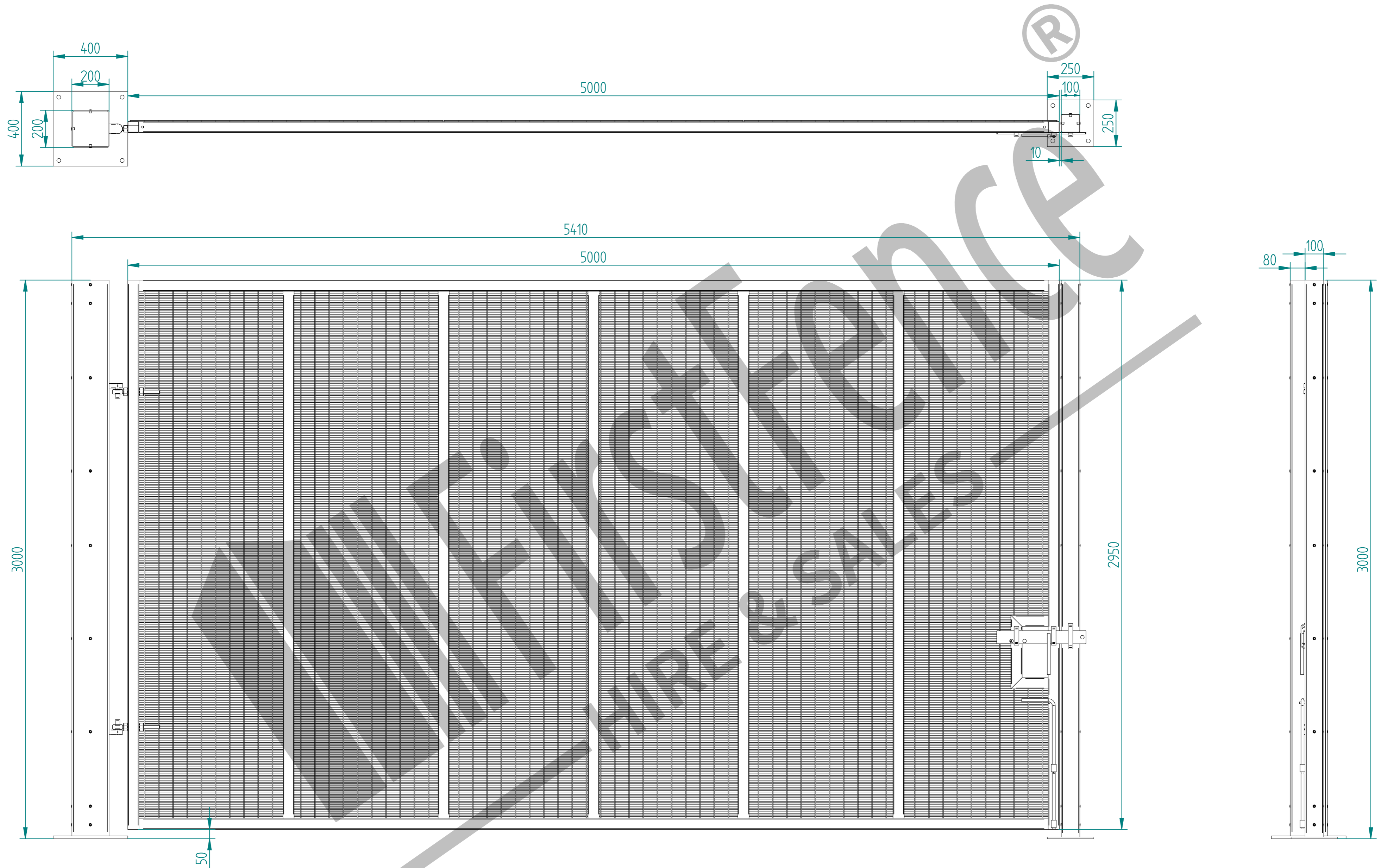



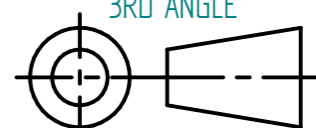
ALL GATES WITH 150x150 / 200x200 BOX SECTION HINGE POSTS ARE TO BE FITTED WITH TWO GALVANISED EYE BOLTS



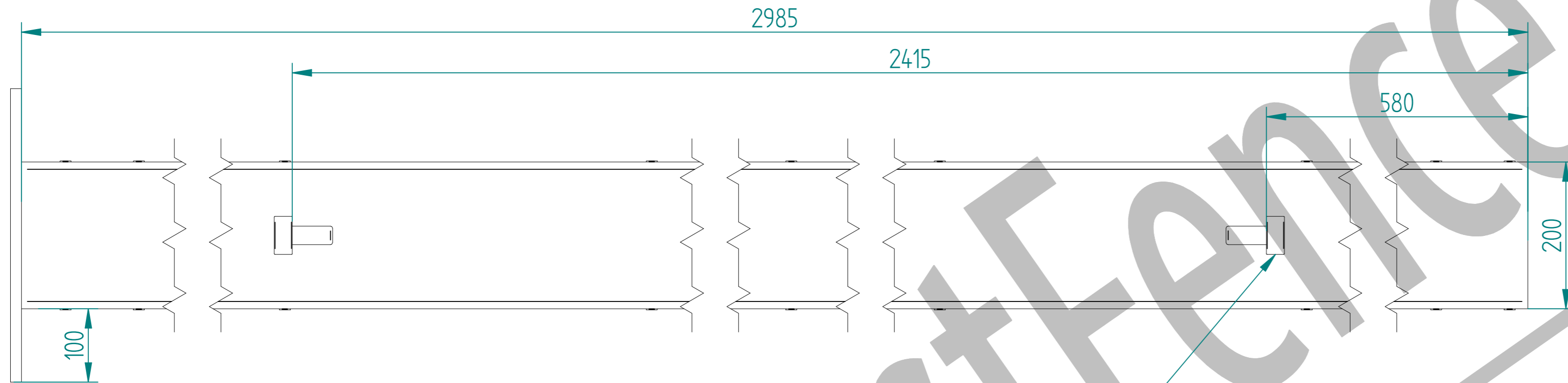
Item	Component Name	Quantity
A	MESH-SLI-6092 - 358 MESH GATE SLIDER 3.0m X 5.0m WIDE	1
B	MESH-HIN-3072 - 3.0m HIGH BOLT DOWN MESH HINGE GATE POST 200X200 BOX SECTION	1
C	MESH-REC-3032 - 3.0m HIGH BOLT DOWN MESH CATCH GATE POST 100X100 BOX SECTION	1
D	ACCS-GEN-0002 - ADJUSTABLE GATE EYE G 200mm cw 25mm	2
E	ACCS-GEN-0101 - UNIVERSAL GATE DROP BOLT	1
F	ACCS-RIB-0003 - 60x60 BLACK RIBBED INSERTS	2
G	ACCS-RIB-0006 - 100X100 BLACK RIBBED INSERTS	1
H	ACCS-RIB-0008 - 200x200 BLACK RIBBED INSERTS	1

NAME	DATE	TITLE
LT	18/03/22	MESH-KIT-7435 - 3.0m X 5.0m WIDE SINGLE LEAF BOLT DOWN 358 MESH GATE KIT
TOLERANCE ± 2mm Unless Stated Otherwise		First Fence Ltd, Kiln Way, Swadlincote, Derbyshire, DE11 8EA 01283 512 111 sales@firstfence.co.uk
3RD ANGLE		SIZE A2 WEIGHT: 389.2 kg SHEET 5 OF 8



	NAME	DATE	TITLE
DRAWN	LT	18/03/22	MESH-KIT-7435 - 3.0m X 5.0m WIDE SINGLE LEAF BOLT DOWN 358 MESH GATE KIT
TOLERANCE	± 2mm Unless Stated Otherwise		 First Fence Ltd, Kiln Way, Swadincote, Derbyshire, DE11 8EA 01283 512 111 sales@firstfence.co.uk
	 3RD ANGLE		NOTE: SHOULD ANY DISCREPANCIES BE FOUND WITH THIS DRAWING, PLEASE INFORM FIRST FENCE COPYRIGHT OF THIS DRAWING IS OWNED BY FIRST FENCE LIMITED.
	SIZE	REV	
	A2	A	
	WEIGHT: 389.2 kg	SHEET 6 OF 8	

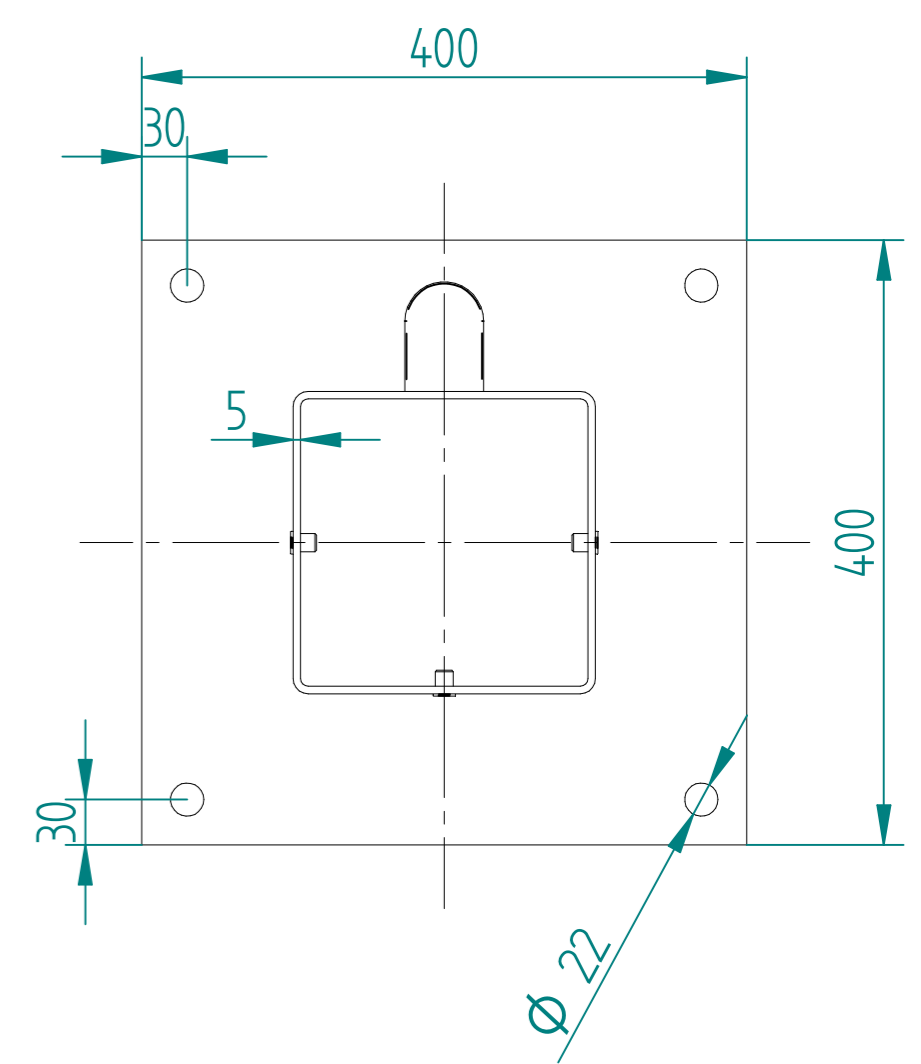
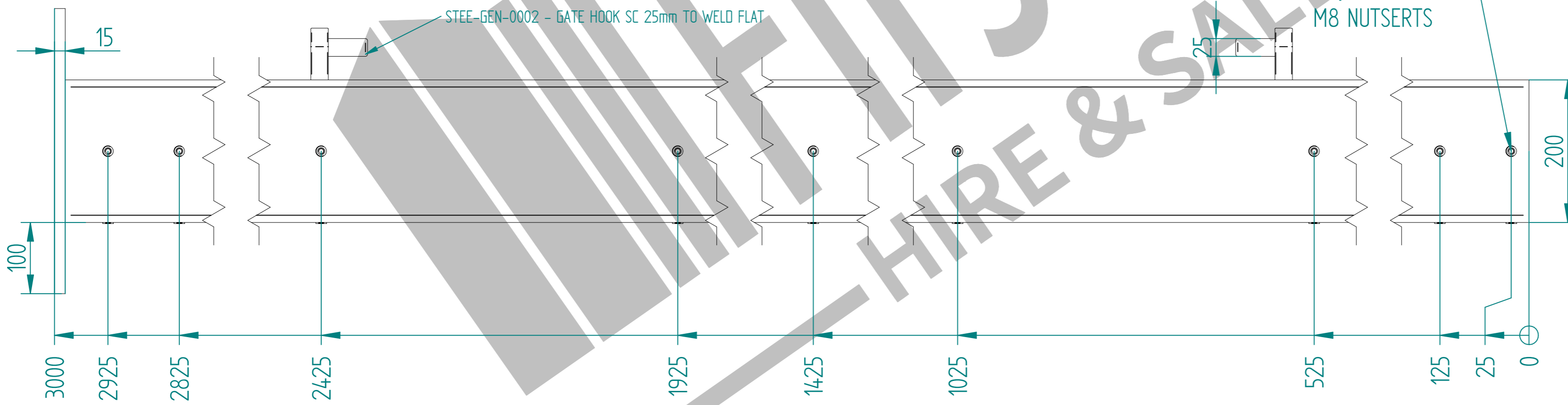
3.0m HIGH BOLT DOWN MESH HINGE GATE POST 200X200 BOX SECTION



TO BE WELDED CENTRAL TO POST

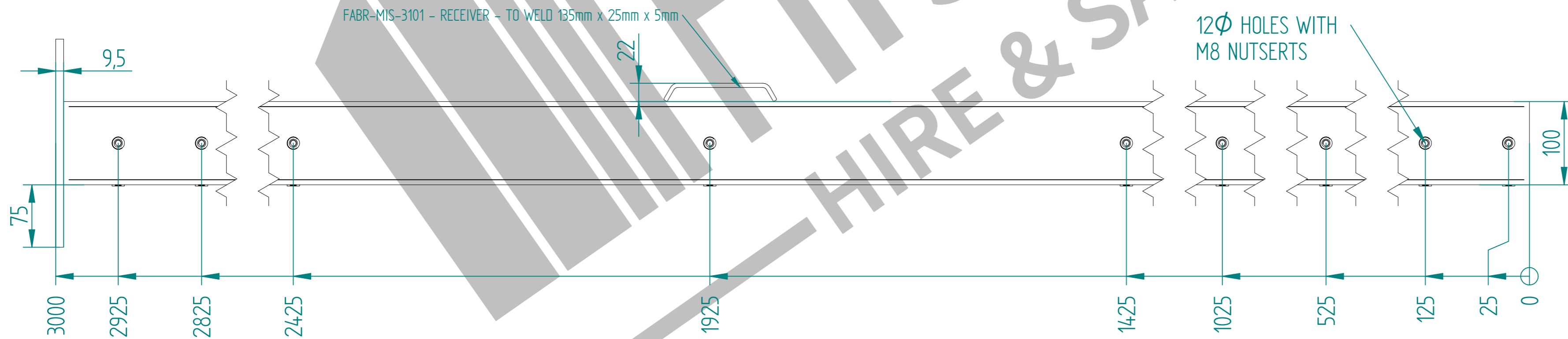
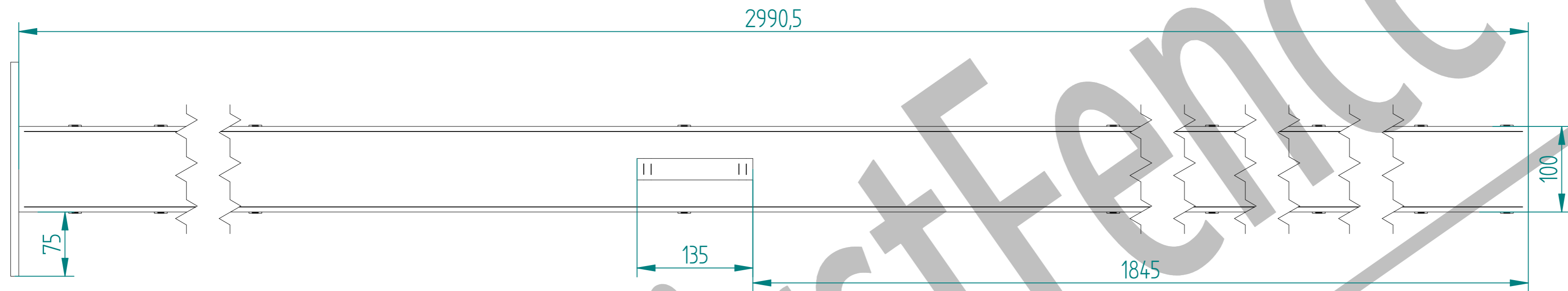
STEE-GEN-0002 - GATE HOOK SC 25mm TO WELD FLAT

12 Ø HOLES WITH M8 NUTSERTS

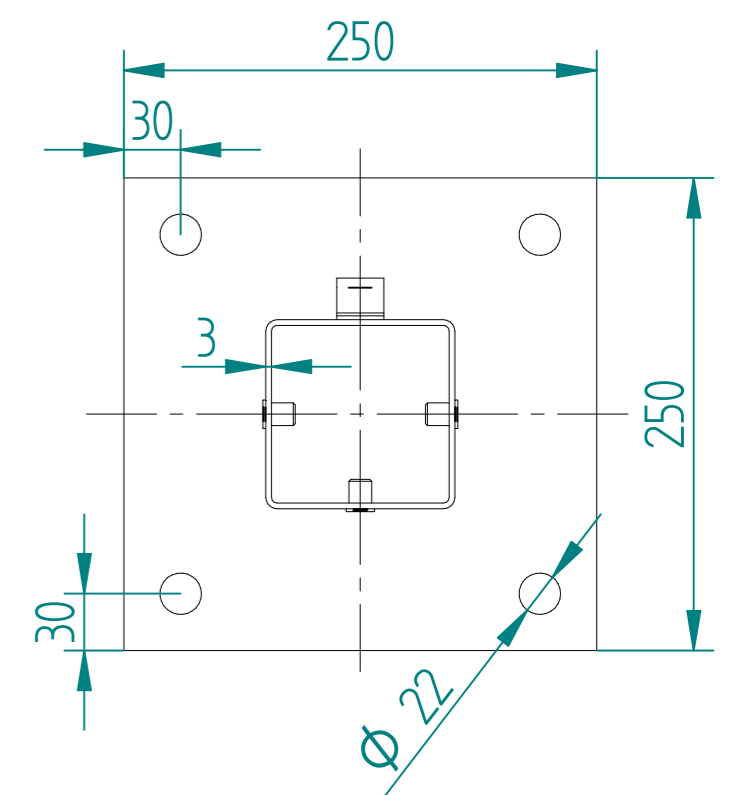


	NAME	DATE	TITLE
DRAWN	LT	18/03/22	MESH-HIN-3072 - 3.0m HIGH BOLT DOWN MESH HINGE GATE POST 200X200 BOX SECTION
TOLERANCE	± 2mm Unless Stated Otherwise		First Fence Ltd, Kiln Way, Swadlincote, Derbyshire, DE11 8EA 01283 512 111 sales@firstfence.co.uk
3RD ANGLE			NOTE: SHOULD ANY DISCREPANCIES BE FOUND WITH THIS DRAWING, PLEASE INFORM FIRSTFENCE. COPYRIGHT OF THIS DRAWING IS OWNED BY FIRSTFENCE LIMITED. SIZE A2 WEIGHT: 110.2 kg REV A SHEET 7 OF 8

3.0m HIGH BOLT DOWN MESH CATCH GATE POST 100X100 BOX SECTION



12 ϕ HOLES WITH M8 NUTSERTS



	NAME	DATE	TITLE
DRAWN	LT	18/03/22	MESH-REC-3032 - 3.0m HIGH BOLT DOWN MESH CATCH GATE POST 100X100 BOX SECTION
TOLERANCE	± 2mm Unless Stated Otherwise		First Fence Ltd, Kiln Way, Swadincote, Derbyshire, DE11 8EA 01283 512 111 sales@firstfence.co.uk
3RD ANGLE 			
			WEIGHT: 31.6 kg SHEET 8 OF 8