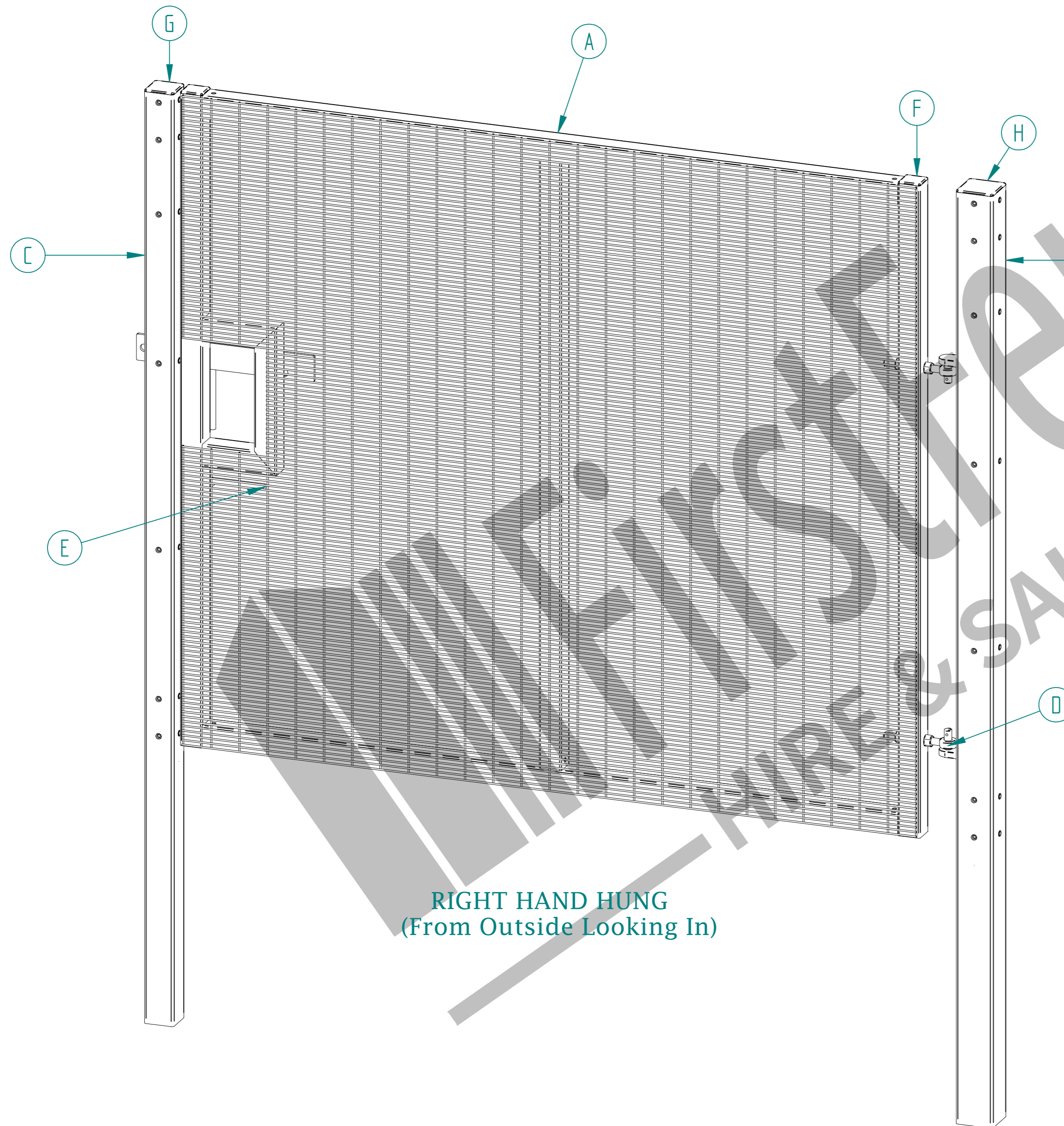
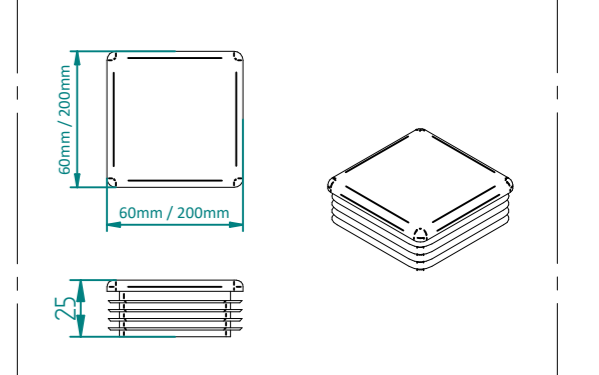


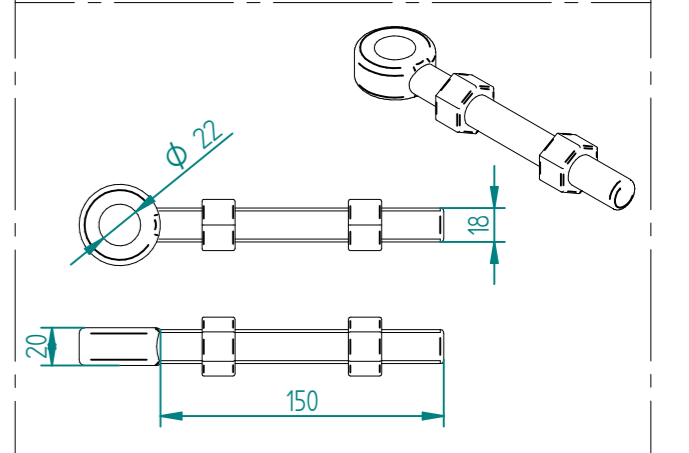
# 1.8m X 2.0m WIDE SINGLE LEAF DIG IN 358 MESH GATE KIT



ALL GATES & POSTS ARE TO BE FITTED WITH BLACK PLASTIC INSERTS



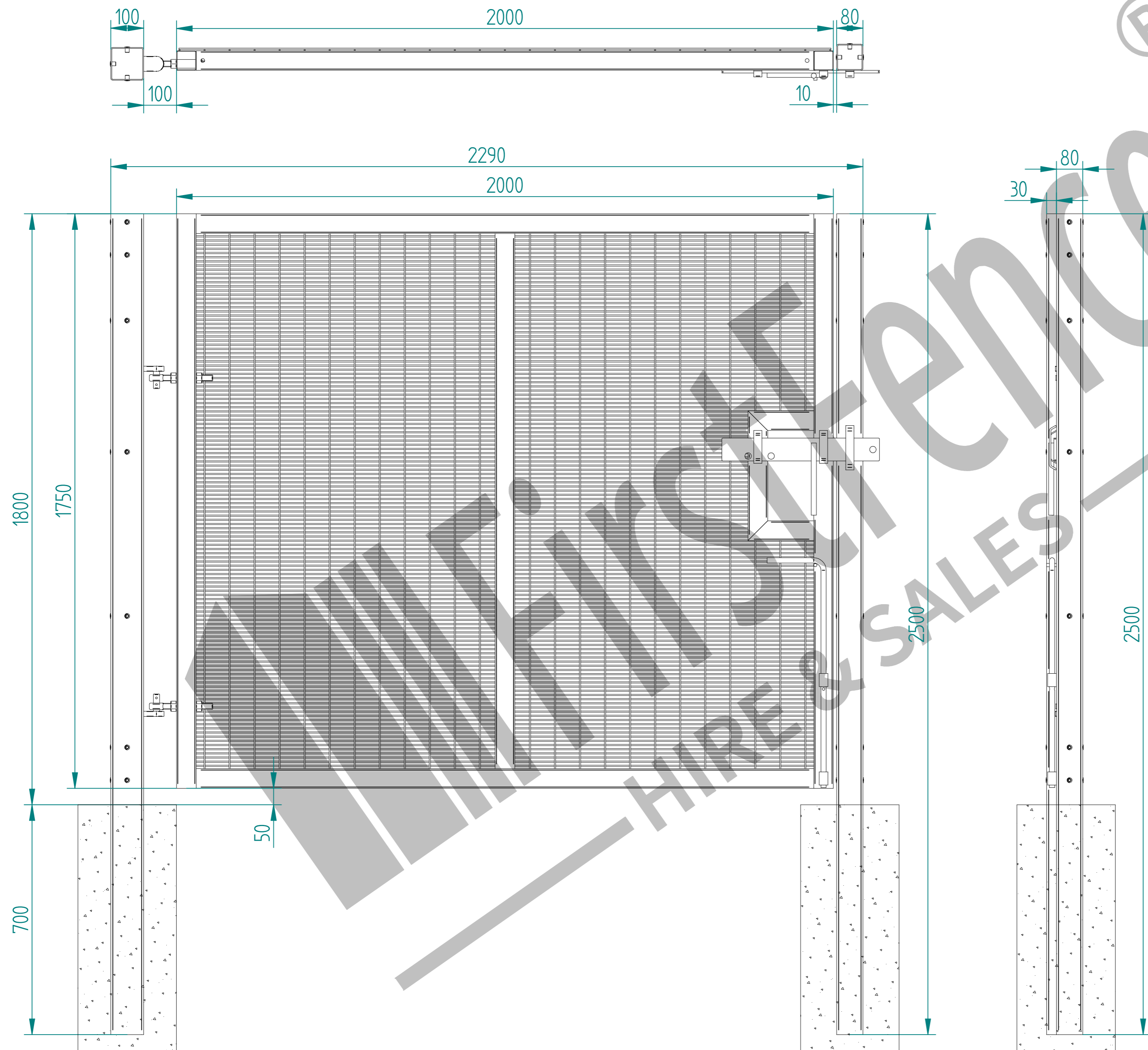
ALL GATES WITH 80x80/100x100/120x120 BOX SECTION HINGE POSTS ARE TO BE FITTED WITH TWO GALVANISED EYE BOLTS



RIGHT HAND HUNG  
(From Outside Looking In)

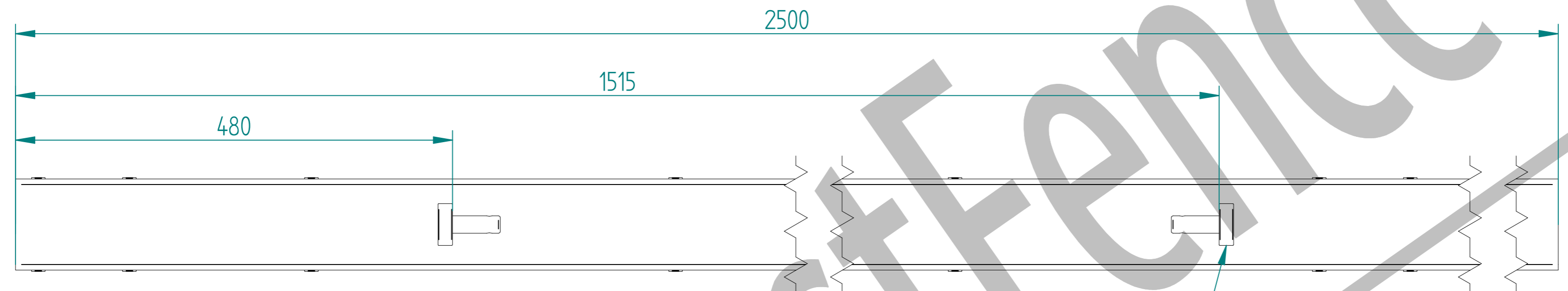
Item	Component Name	Quantity
A	MESH-SLI-3632 - 358 MESH GATE SLIDER 1.8m X 2.0m WIDE	1
B	MESH-HIN-1822 - 1.8m HIGH DIG IN MESH HINGE GATE POST 100X100 BOX SECTION	1
C	MESH-REC-1802 - 1.8m HIGH DIG IN MESH CATCH GATE POST 80X80 BOX SECTION	1
D	ACCS-GEN-0001 - ADJUSTABLE GATE EYE BZP 130-150mm CW 20	2
E	ACCS-GEN-0101 - UNIVERSAL GATE DROP BOLT	1
F	ACCS-RIB-0003 - 60x60 BLACK RIBBED INSERTS	2
G	ACCS-RIB-0005 - 80x80 BLACK RIBBED INSERTS	1
H	ACCS-RIB-0006 - 100X100 BLACK RIBBED INSERTS	1

NAME	DATE	TITLE
LT	25/11/21	MESH-KIT-7104 - 1.8m X 2.0m WIDE SINGLE LEAF DIG IN 358 MESH GATE KIT
TOLERANCE ± 2mm Unless Stated Otherwise		First Fence Ltd, Kiln Way, Swadlincote, Derbyshire, DE11 8EA 01283 512 111 sales@firstfence.co.uk
3RD ANGLE		SIZE A2 WEIGHT: 111.7 kg SHEET 1 OF 8

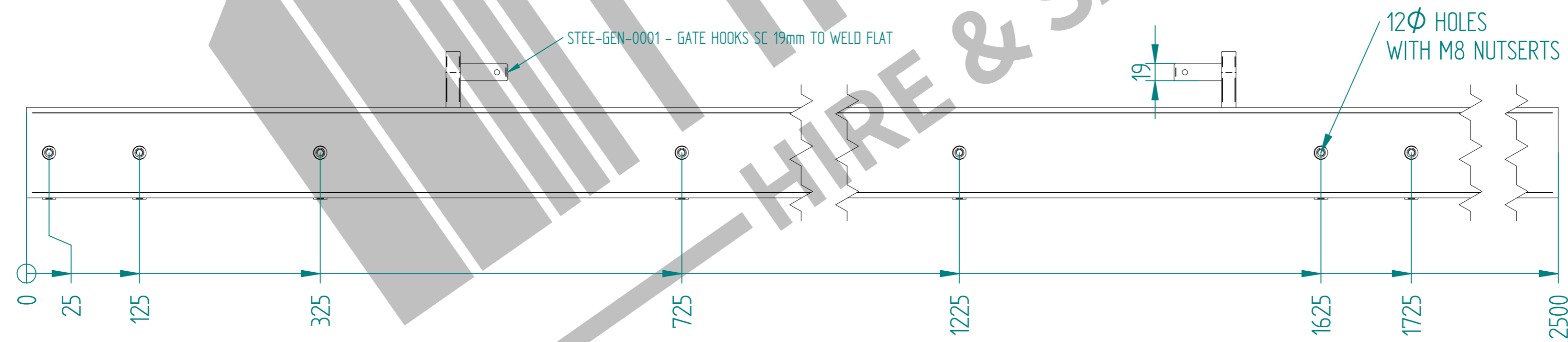


	NAME	DATE	TITLE
DRAWN	LT	25/11/21	MESH-KIT-7104 - 1.8m X 2.0m WIDE SINGLE LEAF DIG IN 358 MESH GATE KIT
TOLERANCE	± 2mm Unless Stated Otherwise		First Fence Ltd, Kiln Way, Swadincote, Derbyshire, DE11 8EA 01283 512 111 sales@firstfence.co.uk
3RD ANGLE 			NOTE: SHOULD ANY DISCREPANCIES BE FOUND WITH THIS DRAWING, PLEASE INFORM FIRSTFENCE. COPYRIGHT OF THIS DRAWING IS OWNED BY FIRSTFENCE LIMITED. SIZE A2 WEIGHT: 111.7 kg
			REV A
			SHEET 2 OF 8

# 1.8m HIGH DIG IN MESH HINGE GATE POST 100X100 BOX SECTION (AL 2500mm)

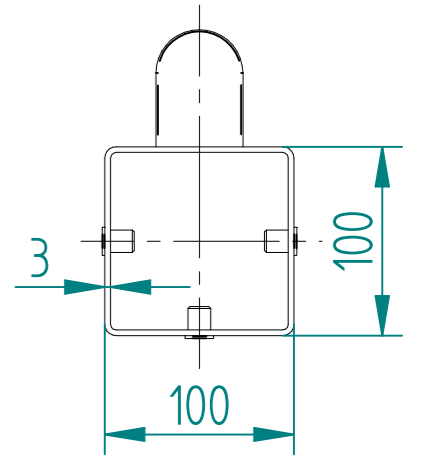


TO BE WELDED CENTRAL TO POST



STEE-GEN-0001 - GATE HOOKS SC 19mm TO WELD FLAT

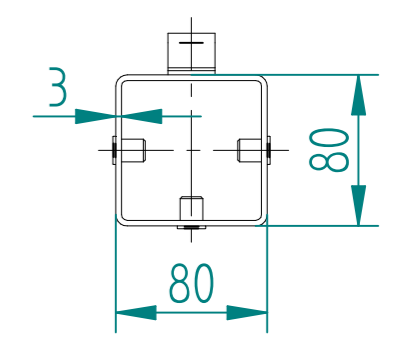
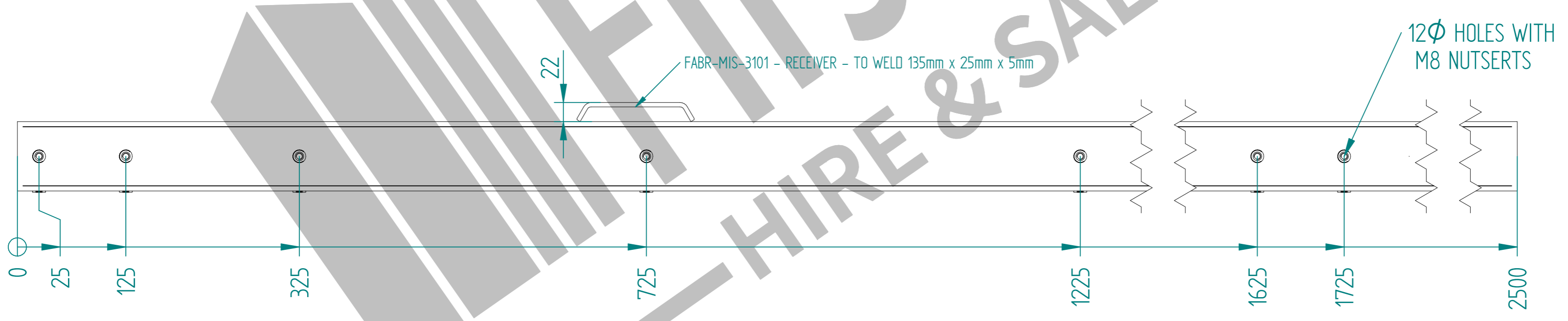
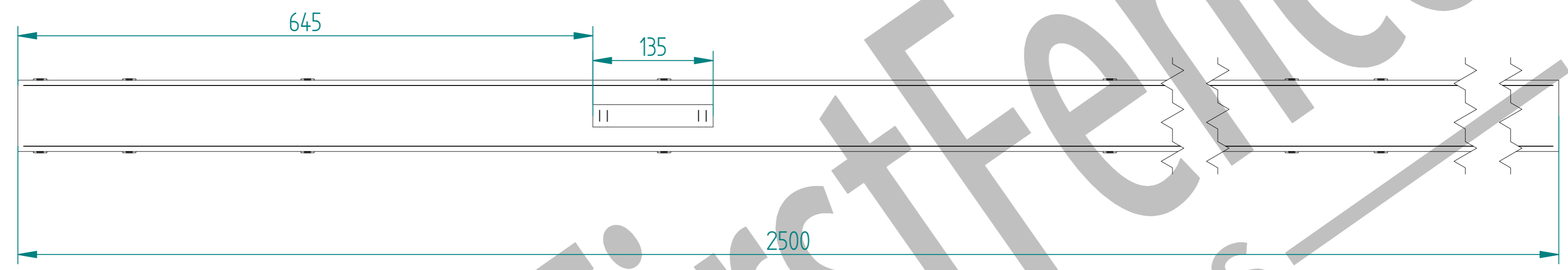
12 $\phi$  HOLES WITH M8 NUTSERTS



	NAME	DATE	TITLE
DRAWN	LT	25/11/21	MESH-HIN-1822 - 1.8m HIGH DIG IN MESH HINGE GATE POST 100X100 BOX SECTION
TOLERANCE	± 2mm Unless Stated Otherwise		FirstFence® First Fence Ltd, Kiln Way, Swadlincote, Derbyshire, DE11 8EA 01283 512 111 sales@firstfence.co.uk
	3RD ANGLE		NOTE: SHOULD ANY DISCREPANCIES BE FOUND WITH THIS DRAWING, PLEASE INFORM FIRSTFENCE. COPYRIGHT OF THIS DRAWING IS OWNED BY FIRSTFENCE LIMITED.
	SIZE	REV	
	A2	A	
	WEIGHT: 23.4 kg	SHEET 3 OF 8	

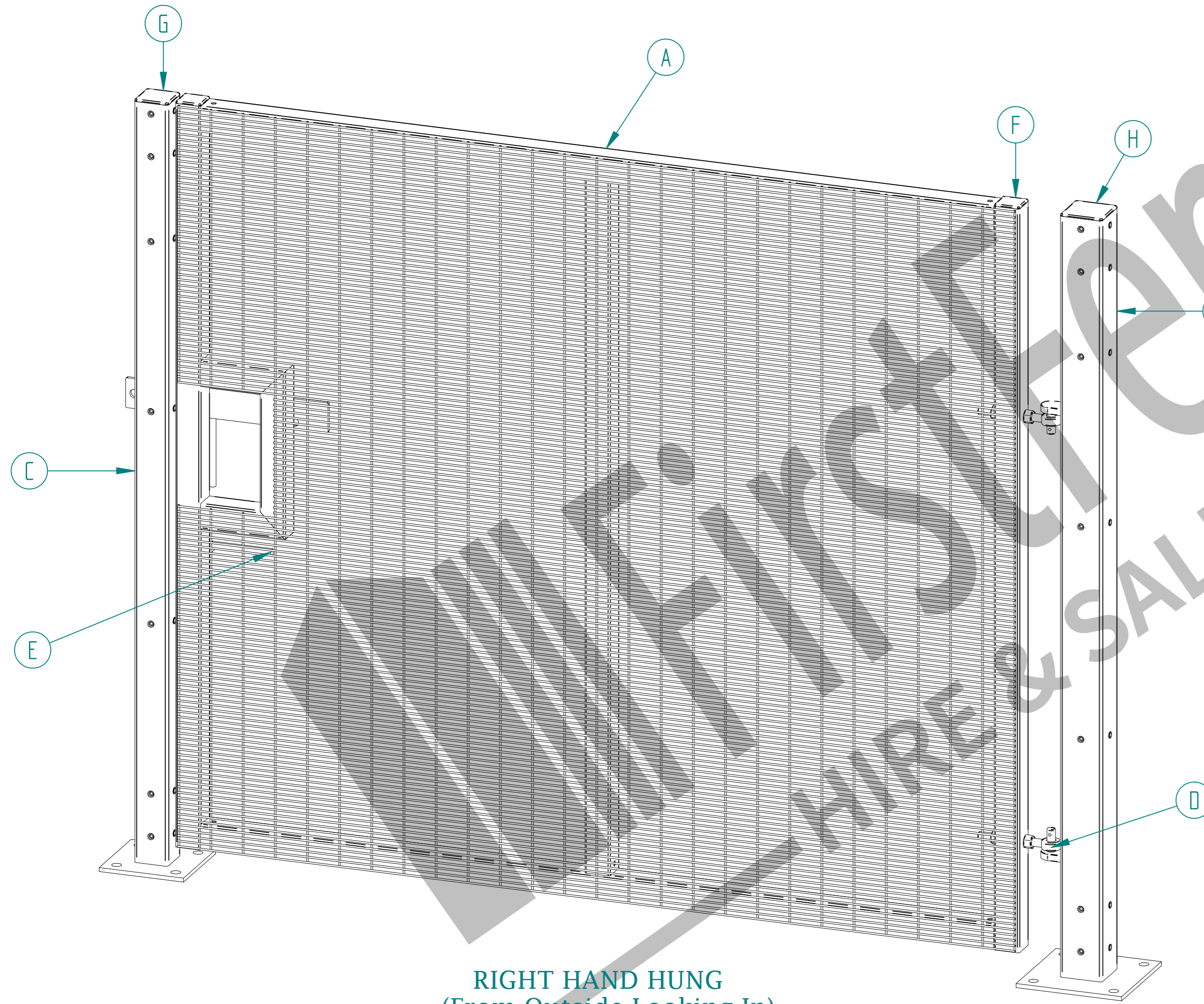


# 1.8m HIGH DIG IN MESH CATCH GATE POST 80X80 BOX SECTION (AL 2500mm)



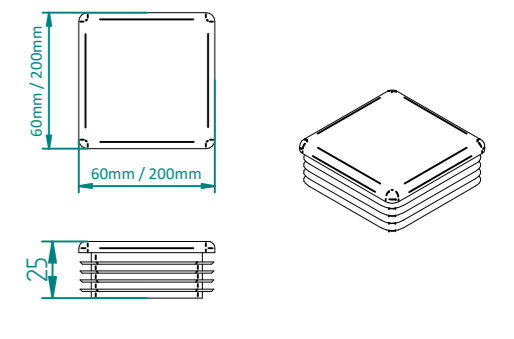
	NAME	DATE	TITLE
DRAWN	LT	25/11/21	MESH-REC-1802 - 1.8m HIGH DIG IN MESH CATCH GATE POST 80X80 BOX SECTION
TOLERANCE	± 2mm Unless Stated Otherwise		First Fence Ltd, Kiln Way, Swadincote, Derbyshire, DE11 8EA 01283 512 111 sales@firstfence.co.uk
	3RD ANGLE		
	SIZE	A2	REV A
	WEIGHT: 17.7 kg		SHEET 4 OF 8

# 1.8m X 2.0m WIDE SINGLE LEAF BOLT DOWN 358 MESH GATE KIT

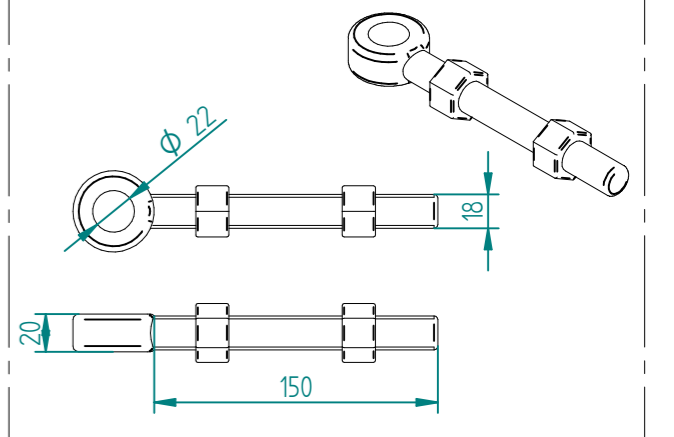


RIGHT HAND HUNG  
(From Outside Looking In)

ALL GATES & POSTS ARE TO BE FITTED WITH BLACK PLASTIC INSERTS

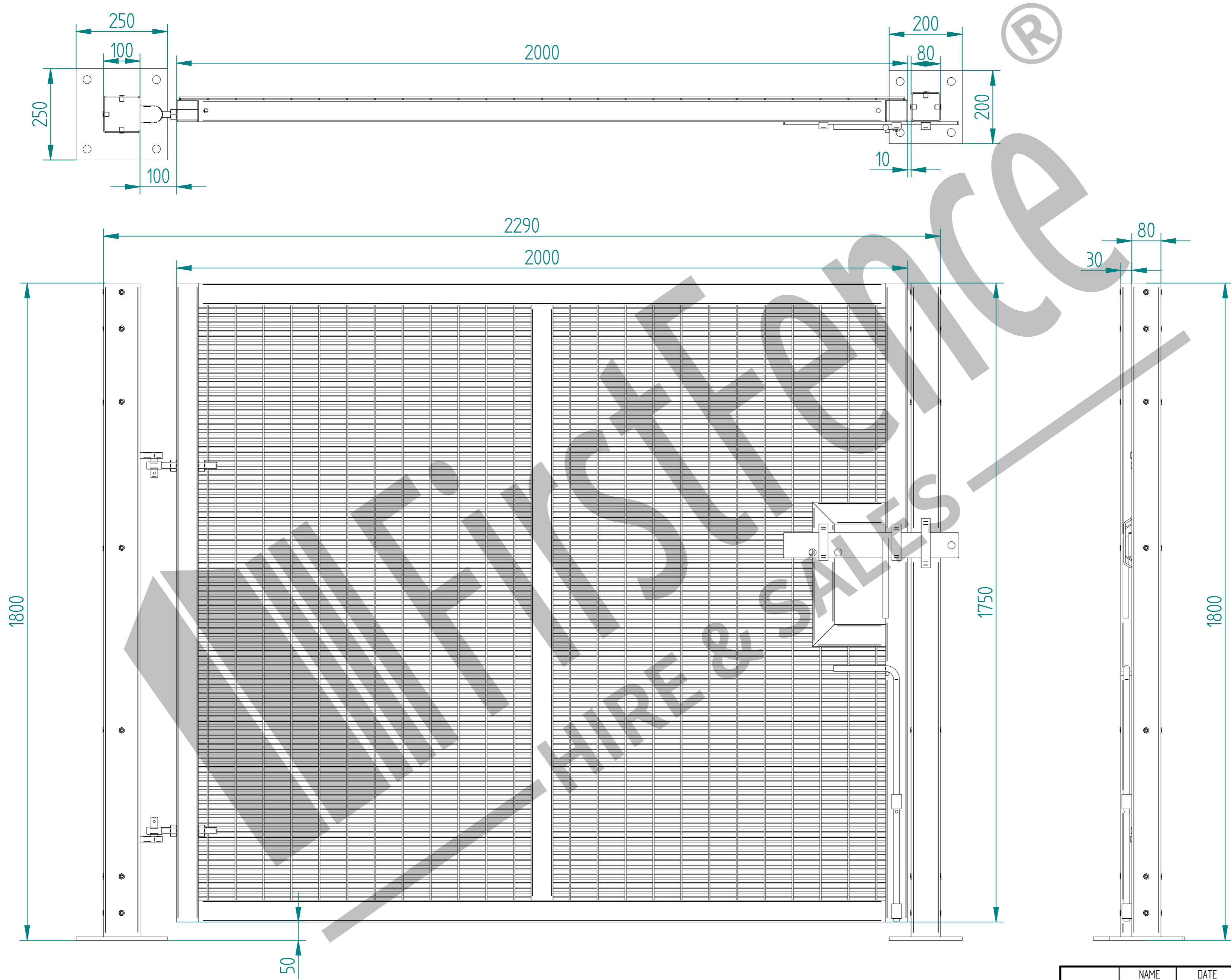



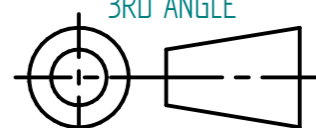
ALL GATES WITH 80x80/100x100/120x120 BOX SECTION HINGE POSTS ARE TO BE FITTED WITH TWO GALVANISED EYE BOLTS



Item	Component Name	Quantity
A	MESH-SLI-3632 - 358 MESH GATE SLIDER 1.8m X 2.0m WIDE	1
B	MESH-HIN-1832 - 1.8m HIGH BOLT DOWN MESH HINGE GATE POST 100X100 BOX SECTION	1
C	MESH-REC-1822 - 1.8m HIGH BOLT DOWN MESH CATCH GATE POST 80X80 BOX SECTION	1
D	ACCS-GEN-0001 - ADJUSTABLE GATE EYE BZP 130-150mm CW 20	2
E	ACCS-GEN-0101 - UNIVERSAL GATE DROP BOLT	1
F	ACCS-RIB-0003 - 60x60 BLACK RIBBED INSERTS	2
G	ACCS-RIB-0005 - 80x80 BLACK RIBBED INSERTS	1
H	ACCS-RIB-0006 - 100X100 BLACK RIBBED INSERTS	1

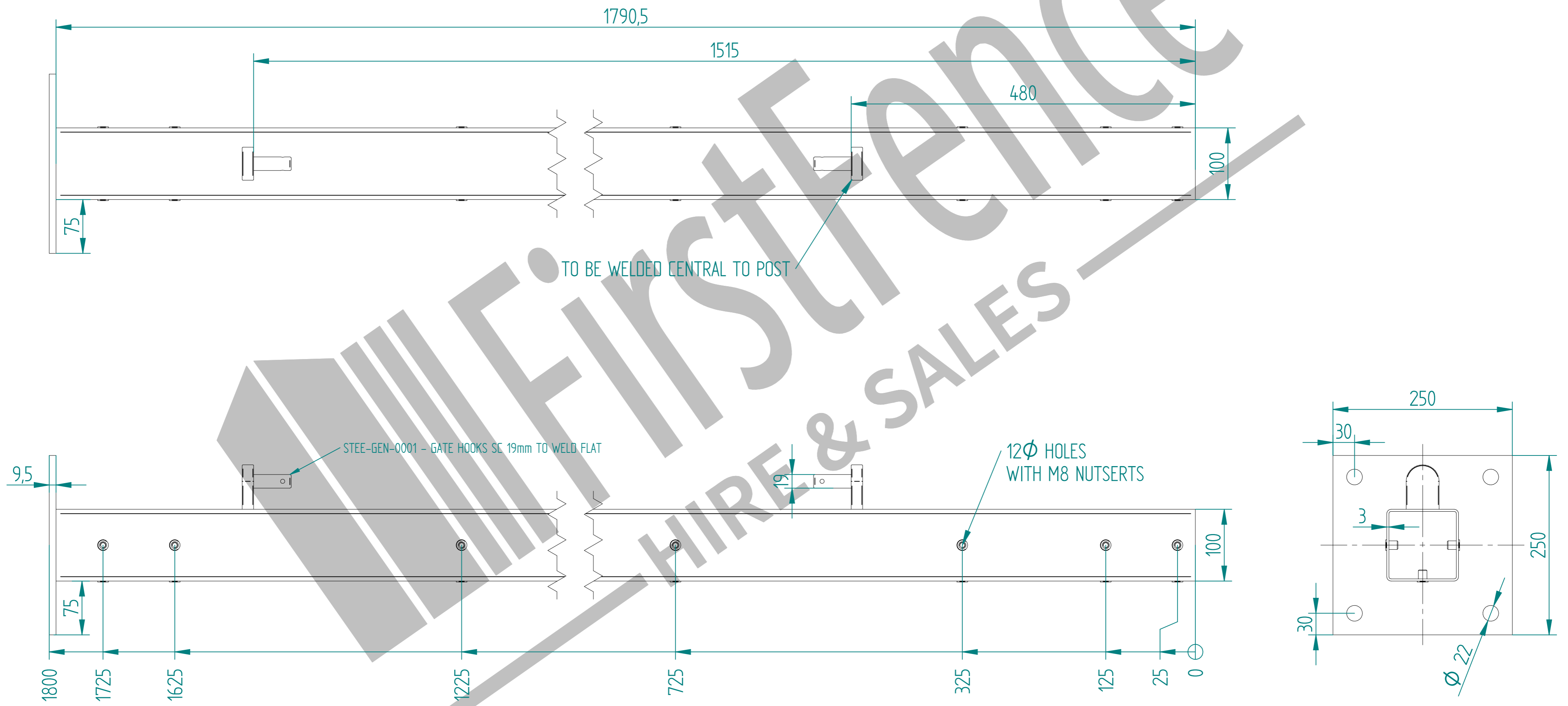
NAME	DATE	TITLE
LT	25/11/21	MESH-KIT-7105 - 1.8m X 2.0m WIDE SINGLE LEAF BOLT DOWN 358 MESH GATE KIT
TOLERANCE ± 2mm Unless Stated Otherwise		First Fence Ltd, Kiln Way, Swadlincote, Derbyshire, DE11 8EA 01283 512 111 sales@firstfence.co.uk
3RD ANGLE		NOTE: SHOULD ANY DISCREPANCIES BE FOUND WITH THIS DRAWING, PLEASE INFORM FIRSTFENCE. COPYRIGHT OF THIS DRAWING IS OWNED BY FIRSTFENCE LIMITED. WEIGHT: 107.7 kg
SIZE A2	REV A	SHEET 5 OF 8



	NAME	DATE	TITLE
DRAWN	LT	25/11/21	MESH-KIT-7105 - 1.8m X 2.0m WIDE SINGLE LEAF BOLT DOWN 358 MESH GATE KIT
TOLERANCE	± 2mm Unless Stated Otherwise		 First Fence Ltd, Kiln Way, Swadincote, Derbyshire, DE11 8EA 01283 512 111 sales@firstfence.co.uk
 3RD ANGLE			
			NOTE: SHOULD ANY DISCREPANCIES BE FOUND WITH THIS DRAWING, PLEASE INFORM FIRSTFENCE. COPYRIGHT OF THIS DRAWING IS OWNED BY FIRSTFENCE LIMITED.
			REV A
			WEIGHT: 107.7 kg
			SHEET 6 OF 8

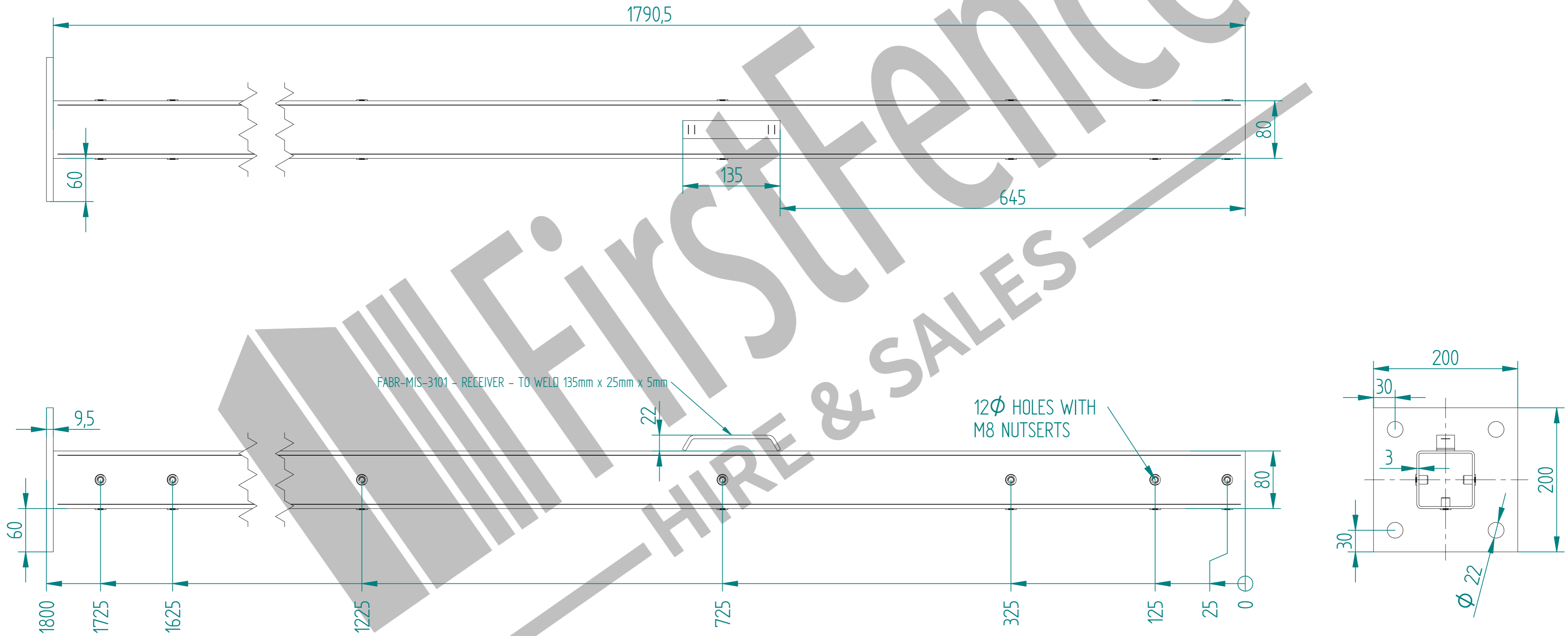


# 1.8m HIGH BOLT DOWN MESH HINGE GATE POST 100X100 BOX SECTION



NAME	DATE	TITLE
LT	25/11/21	MESH-HIN-1832 - 1.8m HIGH BOLT DOWN MESH HINGE GATE POST 100X100 BOX SECTION
TOLERANCE	$\pm 2mm$ Unless Stated Otherwise	FirstFence® First Fence Ltd, Kiln Way, Swadlincote, Derbyshire, DE11 8EA 01283 512 111 sales@firstfence.co.uk
SIZE	A2	REV A
		WEIGHT: 21.6 kg
		SHEET 7 OF 8

# 1.8m HIGH BOLT DOWN MESH CATCH GATE POST 80X80 BOX SECTION



	NAME	DATE	TITLE
DRAWN	LT	25/11/21	MESH-REC-1822 - 1.8m HIGH BOLT DOWN MESH CATCH GATE POST 80X80 BOX SECTION
TOLERANCE	± 2mm Unless Stated Otherwise		First Fence Ltd, Kiln Way, Swadlincote, Derbyshire, DE11 8EA 01283 512 111 sales@firstfence.co.uk
3RD ANGLE 			
			REV A WEIGHT: 15.8 kg SHEET 8 OF 8