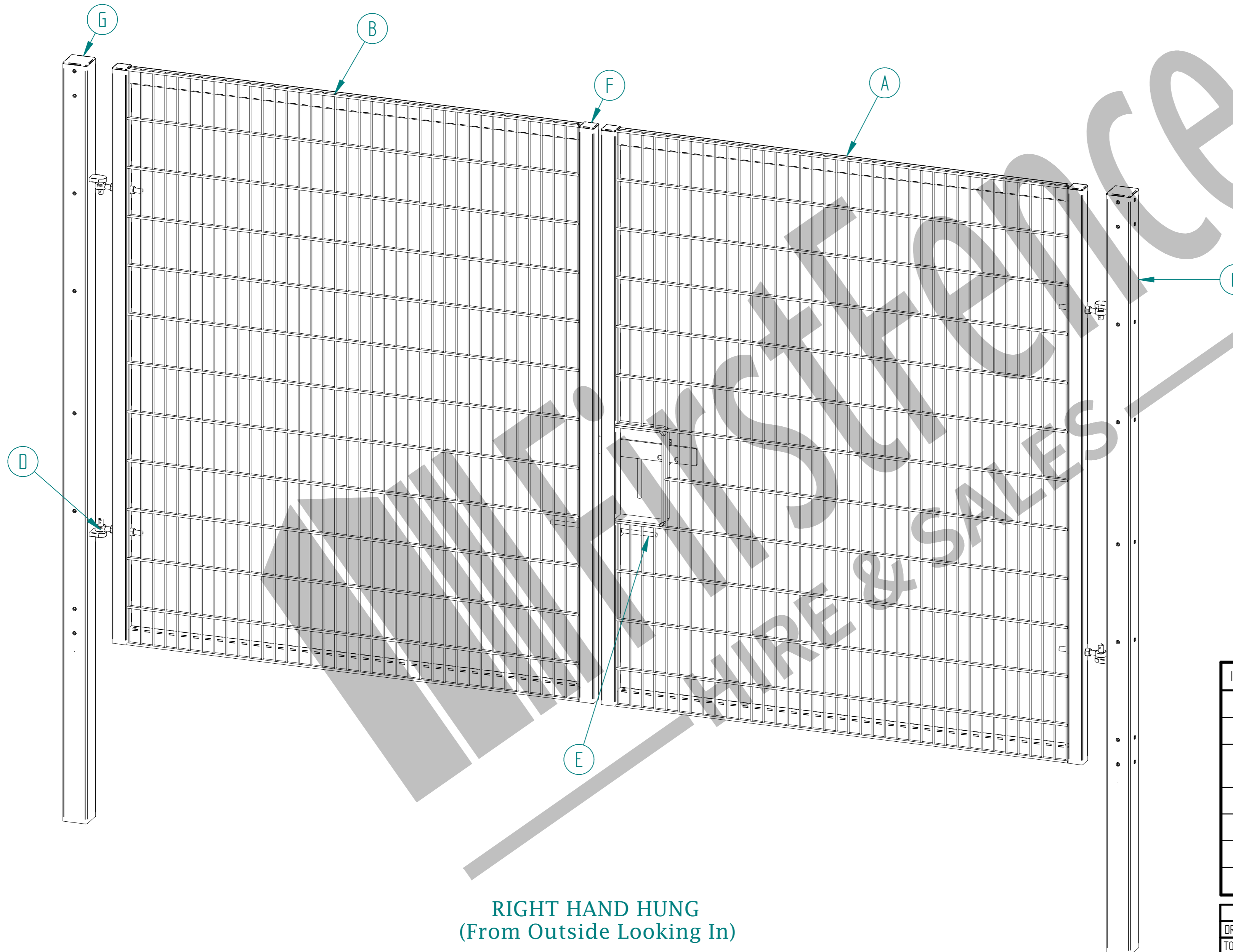
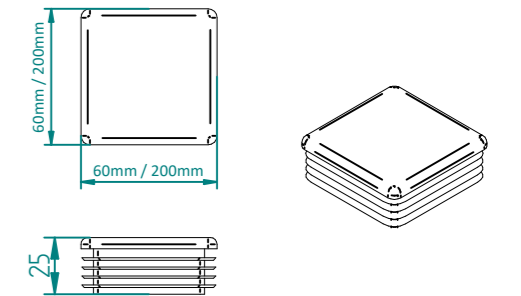


2.4m X 4.0m WIDE DOUBLE LEAF DIG IN 868 MESH GATE KIT

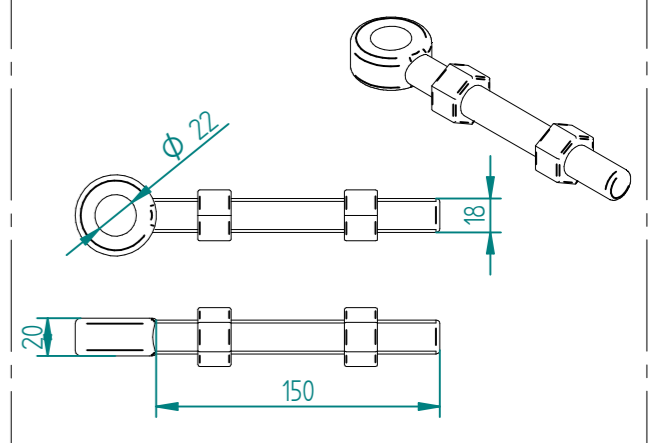


RIGHT HAND HUNG
(From Outside Looking In)

ALL GATES & POSTS ARE TO BE FITTED WITH BLACK PLASTIC INSERTS

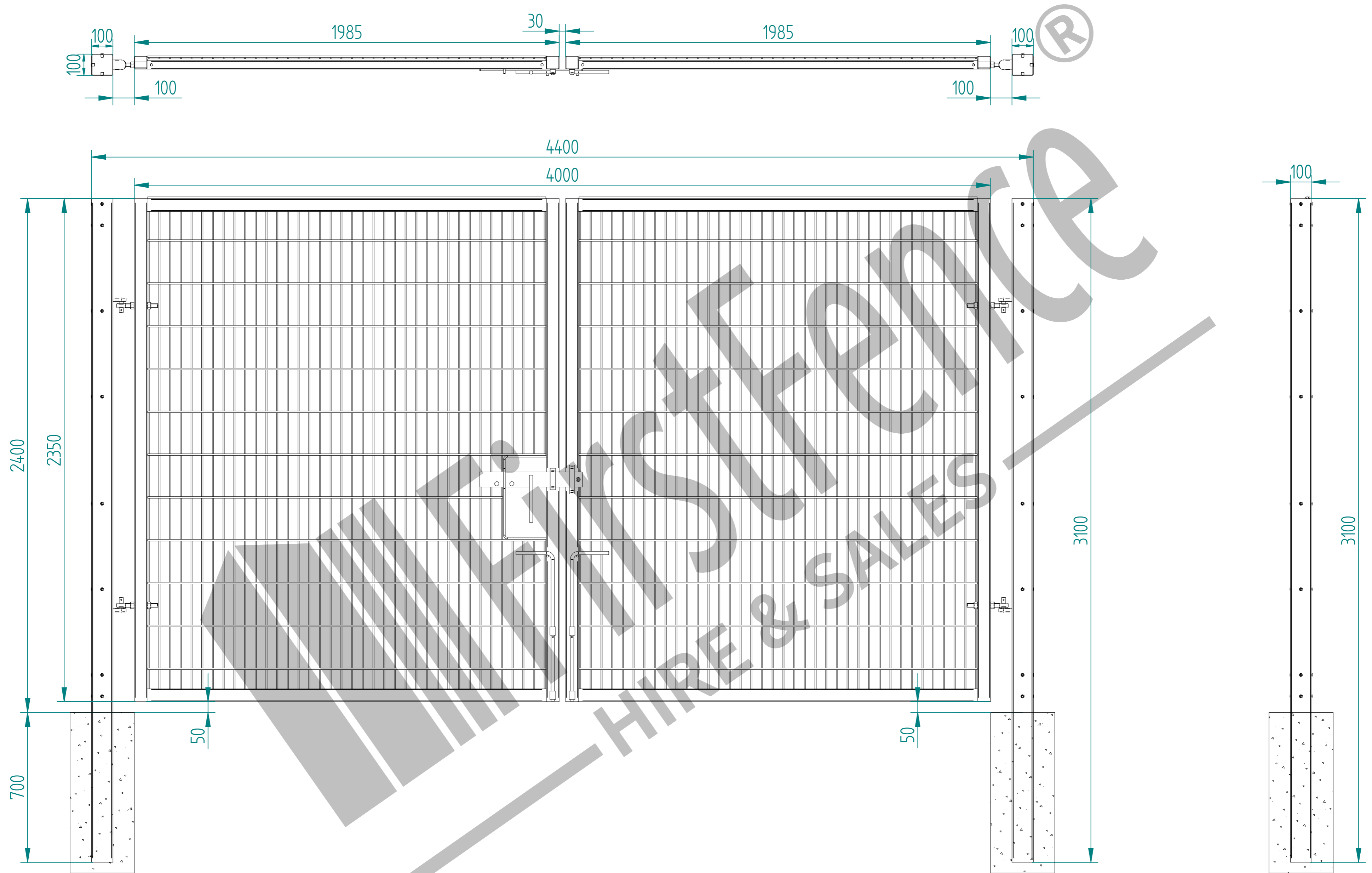



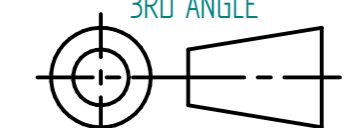
ALL GATES WITH 80x80/100x100/120x120 BOX SECTION HINGE POSTS ARE TO BE FITTED WITH TWO GALVANISED EYE BOLTS



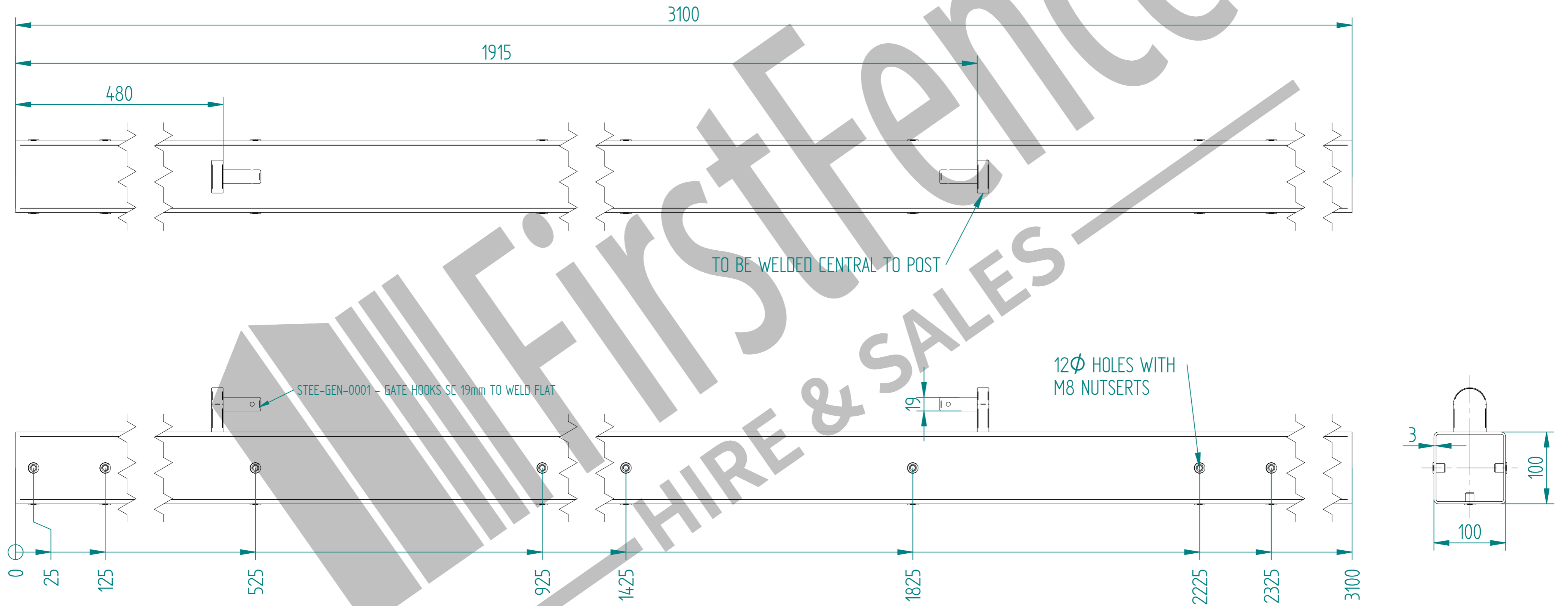
Item	Component Name	Quantity
A	MESH-SLI-2432 - 868 MESH GATE SLIDER 2.4m X 2.0m WIDE	1
B	MESH-CAT-2432 - 868 MESH GATE CATCH 2.4m X 2.0m WIDE	1
C	MESH-HIN-2422 - 2.4m HIGH DIG IN MESH HINGE GATE POST 100X100 BOX SECTION	2
D	ACCS-GEN-0001 - ADJUSTABLE GATE EYE BZP 130-150mm CW 20	4
E	ACCS-GEN-0101 - UNIVERSAL GATE DROP BOLT	2
F	ACCS-RIB-0003 - 60x60 BLACK RIBBED INSERTS	4
G	ACCS-RIB-0006 - 100X100 BLACK RIBBED INSERTS	2

NAME	DATE	TITLE
LT	07/03/22	MESH-KIT-6424 - 2.4m x 4.0m WIDE DOUBLE LEAF DIG IN 868 MESH GATE KIT
TOLERANCE ± 2mm Unless Stated Otherwise		First Fence Ltd, Kiln Way, Swadlincote, Derbyshire, DE11 8EA 01283 512 111 sales@firstfence.co.uk
3RD ANGLE		NOTE: SHOULD ANY DISCREPANCIES BE FOUND WITH THIS DRAWING, PLEASE INFORM FIRSTFENCE. COPYRIGHT OF THIS DRAWING IS OWNED BY FIRSTFENCE LIMITED. SIZE A2 WEIGHT: 201.2 kg
		REV A



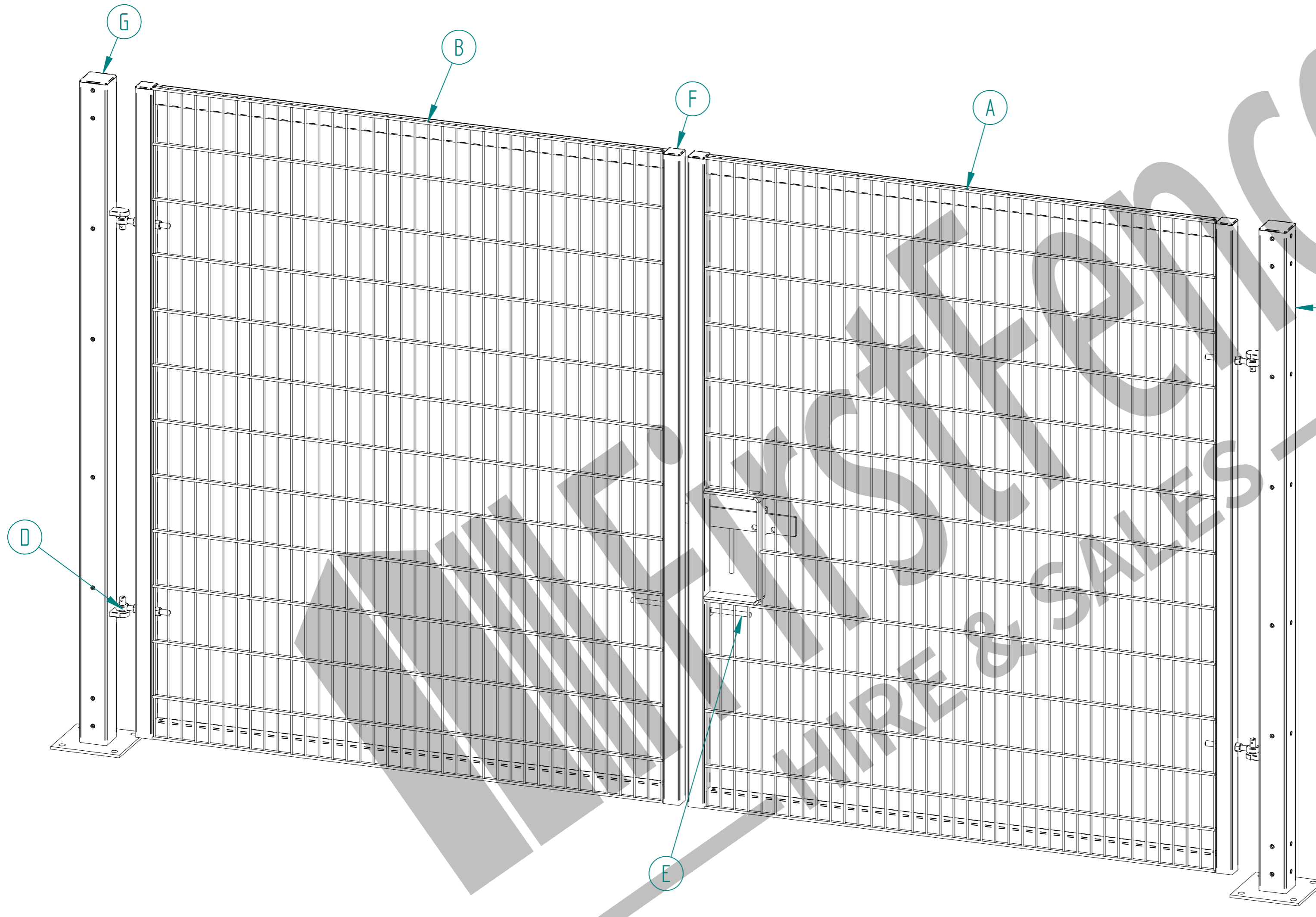
	NAME	DATE	TITLE
DRAWN	LT	07/03/22	MESH-KIT-6424 - 2.4m x 4.0m WIDE DOUBLE LEAF DIG IN 868 MESH GATE KIT
TOLERANCE	± 2mm Unless Stated Otherwise		 First Fence Ltd, Kiln Way, Swadlincote, Derbyshire, DE11 8EA 01283 512 111 sales@firstfence.co.uk
 3RD ANGLE			NOTE: SHOULD ANY DISCREPANCIES BE FOUND WITH THIS DRAWING, PLEASE INFORM FIRST FENCE COPYRIGHT OF THIS DRAWING IS OWNED BY FIRST FENCE LIMITED.
SIZE	WEIGHT: 201.2 kg		REV A
A2			SHEET 2 OF 6

2.4m HIGH DIG IN MESH HINGE GATE POST 100X100 BOX SECTION (AL 3100mm)



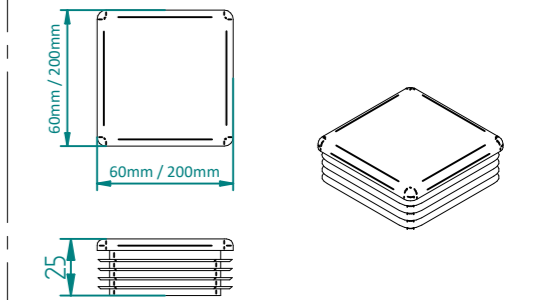
	NAME	DATE	TITLE
DRAWN	LT	07/03/22	MESH-HIN-2422 - 2.4m HIGH DIG IN MESH HINGE GATE POST 100X100 BOX SECTION
TOLERANCE	± 2mm Unless Stated Otherwise		First Fence Ltd, Kiln Way, Swadincote, Derbyshire, DE11 8EA 01283 512 111 sales@firstfence.co.uk
3RD ANGLE			NOTE: SHOULD ANY DISCREPANCIES BE FOUND WITH THIS DRAWING, PLEASE INFORM FIRSTFENCE. COPYRIGHT OF THIS DRAWING IS OWNED BY FIRSTFENCE LIMITED.
WEIGHT: 27.9 kg			REV A
			SHEET 3 OF 6

2.4m X 4.0m WIDE DOUBLE LEAF BOLT DOWN 868 MESH GATE KIT

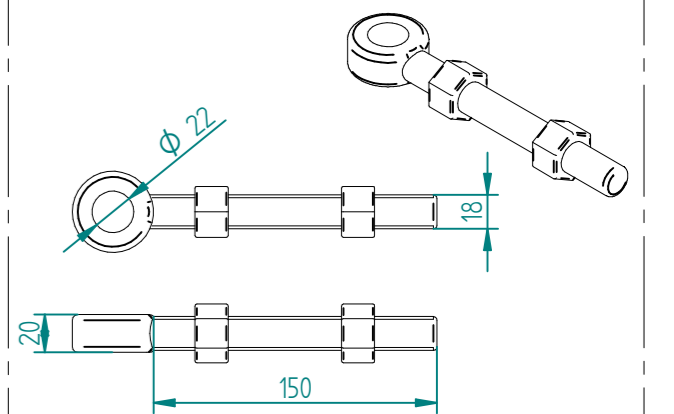


RIGHT HAND HUNG
(From Outside Looking In)

ALL GATES & POSTS ARE TO BE FITTED WITH BLACK PLASTIC INSERTS

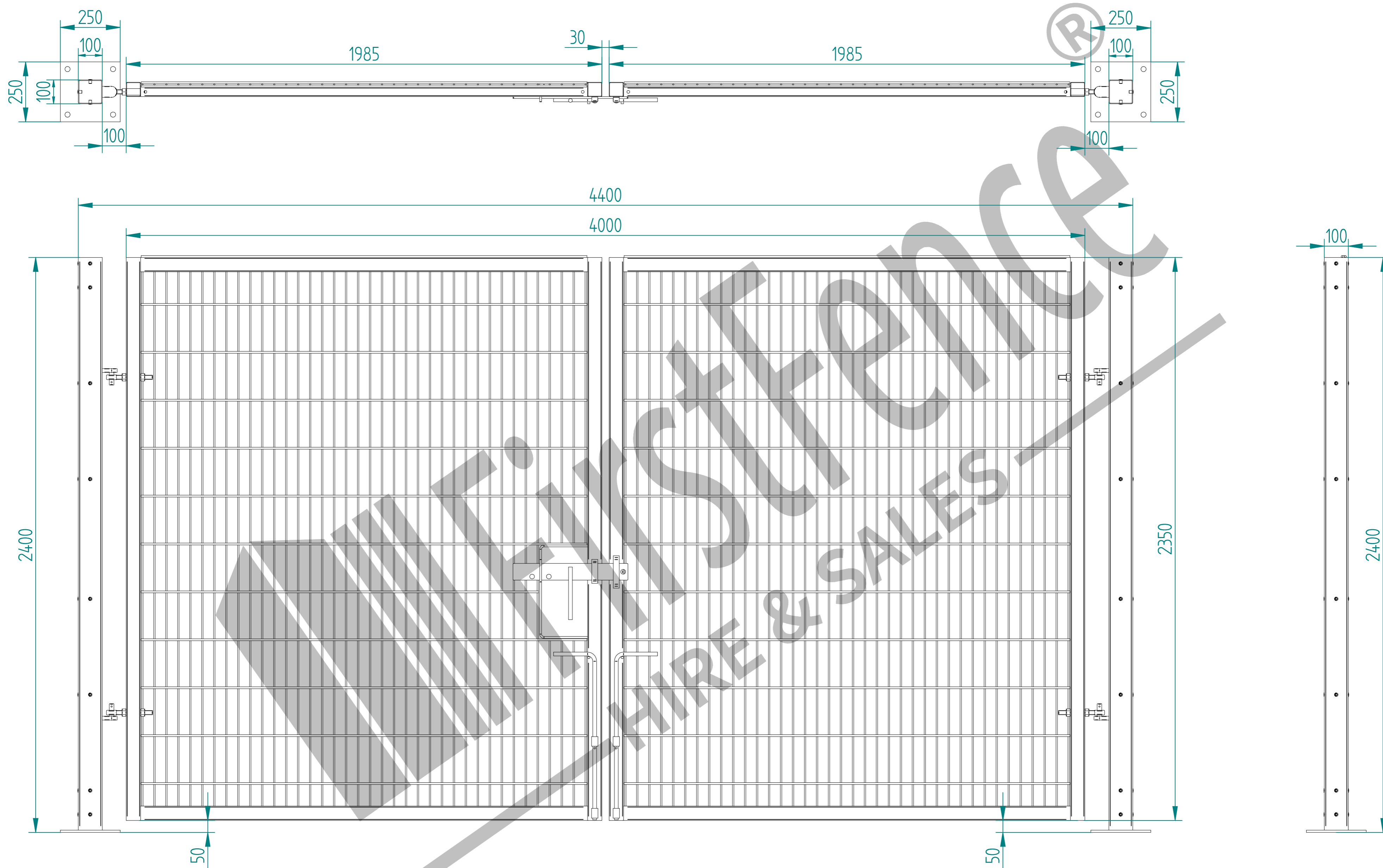



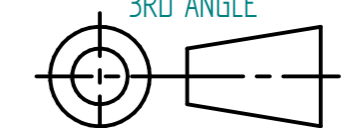
ALL GATES WITH 80x80/100x100/120x120 BOX SECTION HINGE POSTS ARE TO BE FITTED WITH TWO GALVANISED EYE BOLTS



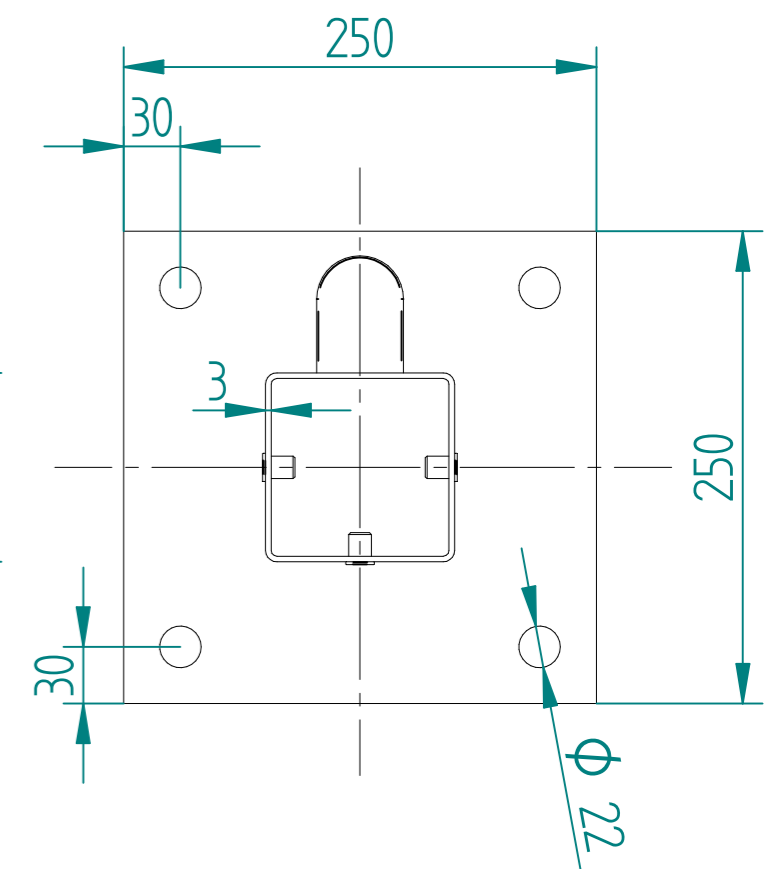
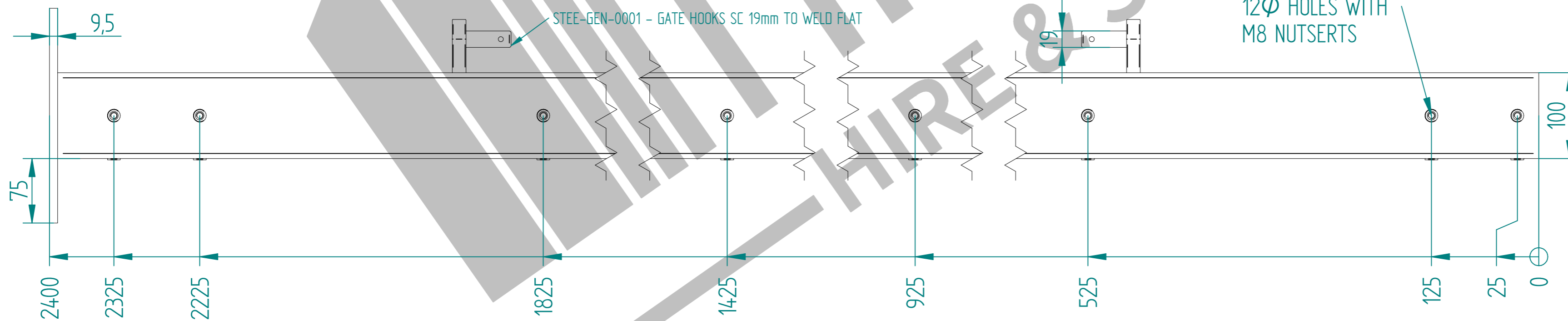
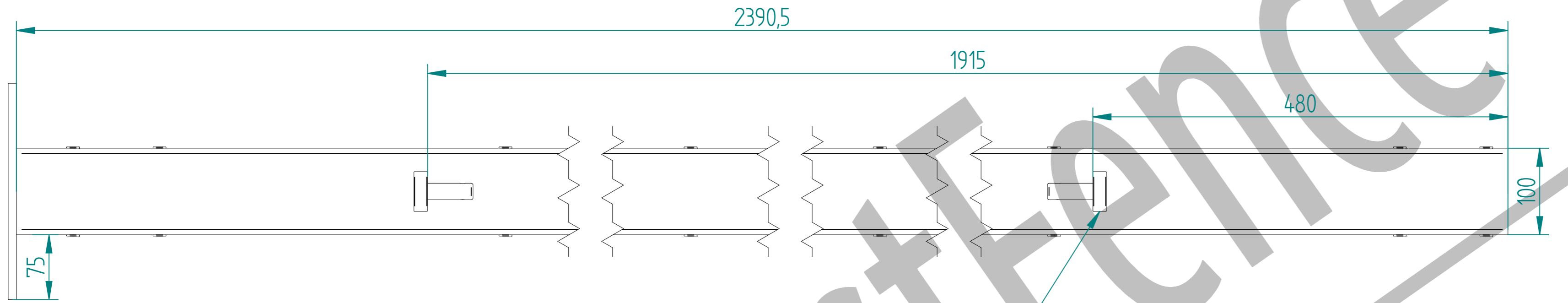
Item	Component Name	Quantity
A	MESH-SLI-2432 - 868 MESH GATE SLIDER 2.4m X 2.0m WIDE	1
B	MESH-CAT-2432 - 868 MESH GATE CATCH 2.4m X 2.0m WIDE	1
C	MESH-HIN-2432 - 2.4m HIGH BOLT DOWN MESH HINGE GATE POST 100X100 BOX SECTION	2
D	ACCS-GEN-0001 - ADJUSTABLE GATE EYE BZP 130-150mm CW 20	4
E	ACCS-GEN-0101 - UNIVERSAL GATE DROP BOLT	2
F	ACCS-RIB-0003 - 60x60 BLACK RIBBED INSERTS	4
G	ACCS-RIB-0006 - 100X100 BLACK RIBBED INSERTS	2

NAME	DATE	TITLE
LT	07/03/22	MESH-KIT-6225 - 2.4m X 4.0m WIDE DOUBLE LEAF BOLT DOWN 868 MESH GATE KIT
TOLERANCE ± 2mm Unless Stated Otherwise		First Fence Ltd, Kiln Way, Swadlincote, Derbyshire, DE11 8EA 01283 512 111 sales@firstfence.co.uk
3RD ANGLE		NOTE: SHOULD ANY DISCREPANCIES BE FOUND WITH THIS DRAWING, PLEASE INFORM FIRSTFENCE. COPYRIGHT OF THIS DRAWING IS OWNED BY FIRSTFENCE LIMITED. SIZE A2 WEIGHT: 197.6 kg
		REV A



	NAME	DATE	TITLE
DRAWN	LT	07/03/22	MESH-KIT-6225 - 2.4m X 4.0m WIDE DOUBLE LEAF BOLT DOWN 868 MESH GATE KIT
TOLERANCE	± 2mm Unless Stated Otherwise		 First Fence Ltd, Kiln Way, Swadincote, Derbyshire, DE11 8EA 01283 512 111 sales@firstfence.co.uk
 3RD ANGLE			
SIZE A2			REV A
WEIGHT: 197.6 kg			SHEET 5 OF 6

2.4m HIGH BOLT DOWN MESH HINGE GATE POST 100X100 BOX SECTION



TO BE WELDED CENTRAL TO POST

STEE-GEN-0001 - GATE HOOKS SC 19mm TO WELD FLAT

12 ϕ HOLES WITH M8 NUTSERTS

	NAME	DATE	TITLE
DRAWN	LT	07/03/22	MESH-HIN-2432 - 2.4m HIGH BOLT DOWN MESH HINGE GATE POST 100X100 BOX SECTION
TOLERANCE	± 2mm Unless Stated Otherwise		First Fence Ltd, Kiln Way, Swadlincote, Derbyshire, DE11 8EA 01283 512 111 sales@firstfence.co.uk
3RD ANGLE			NOTE: SHOULD ANY DISCREPANCIES BE FOUND WITH THIS DRAWING, PLEASE INFORM FIRSTFENCE. COPYRIGHT OF THIS DRAWING IS OWNED BY FIRSTFENCE LIMITED. SIZE A2 WEIGHT: 215 kg
			REV A