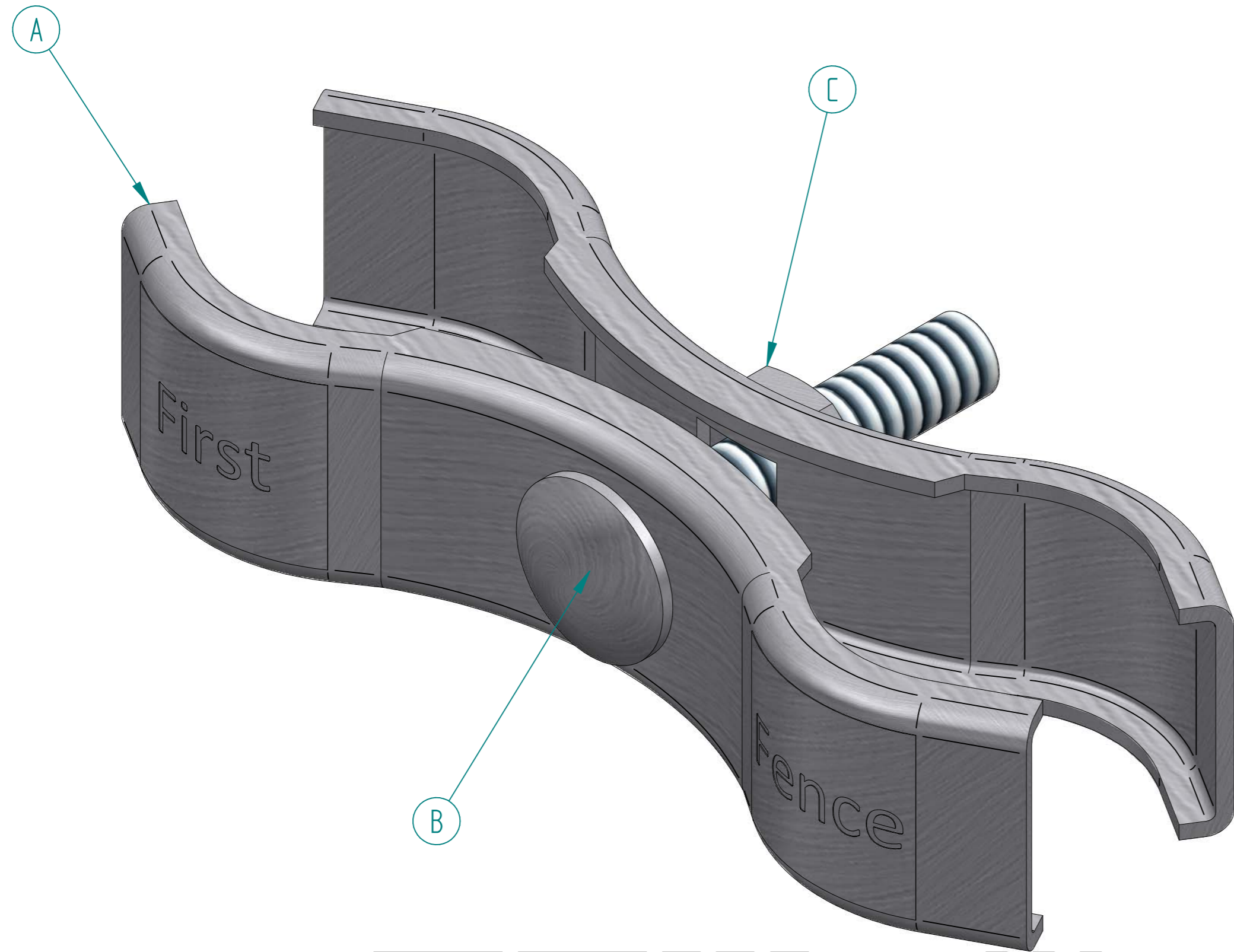


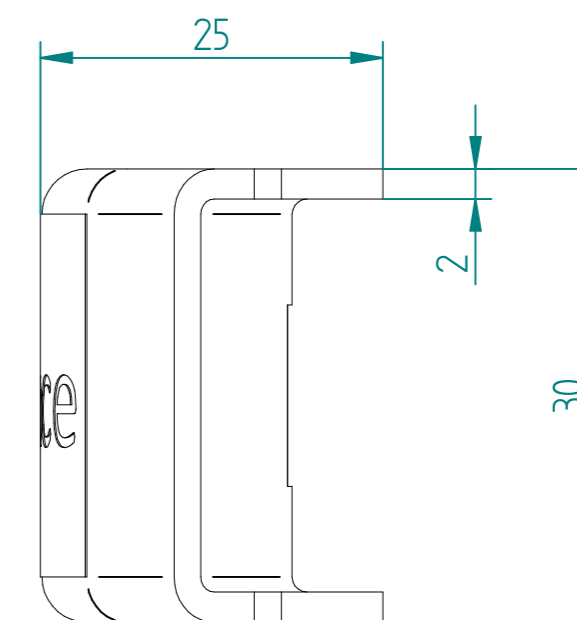
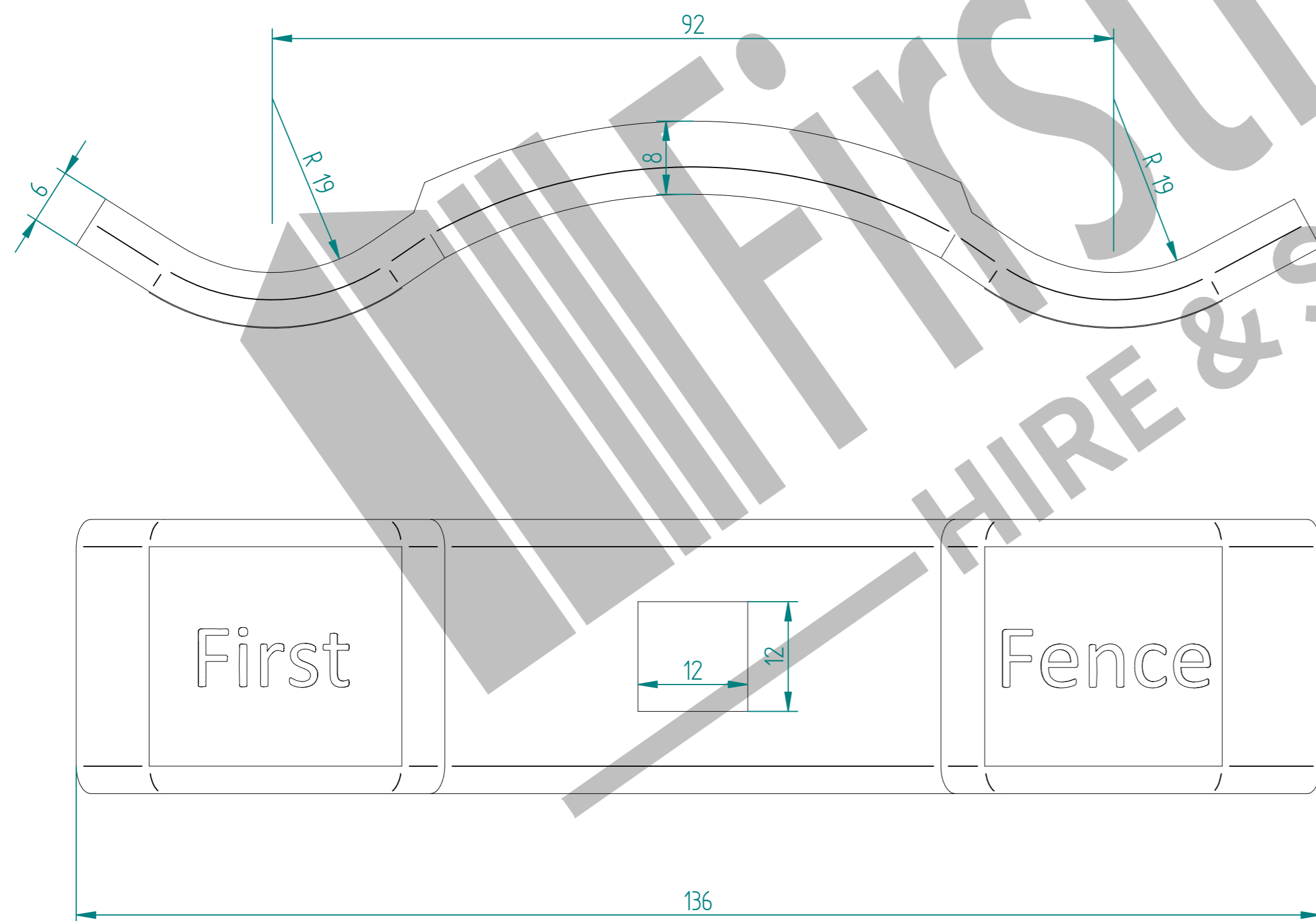
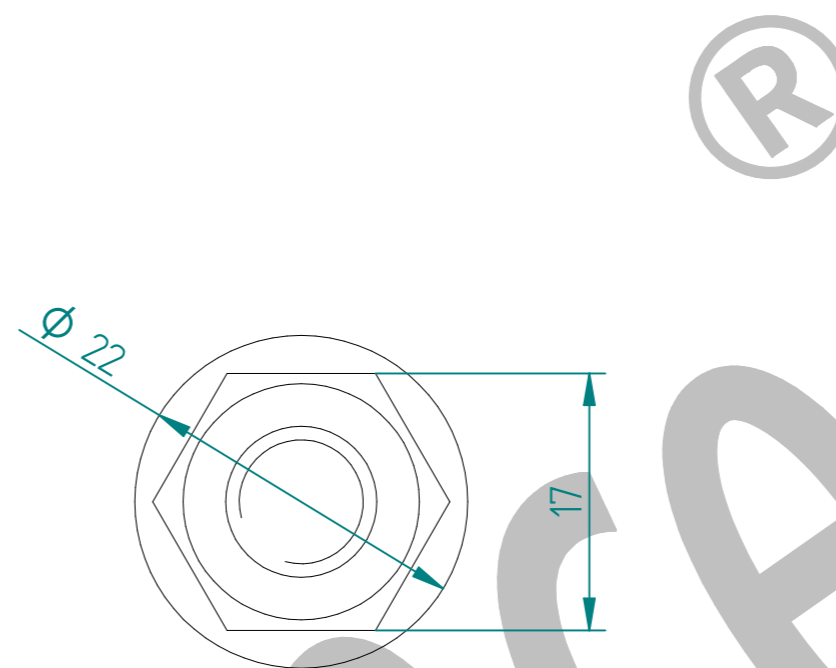
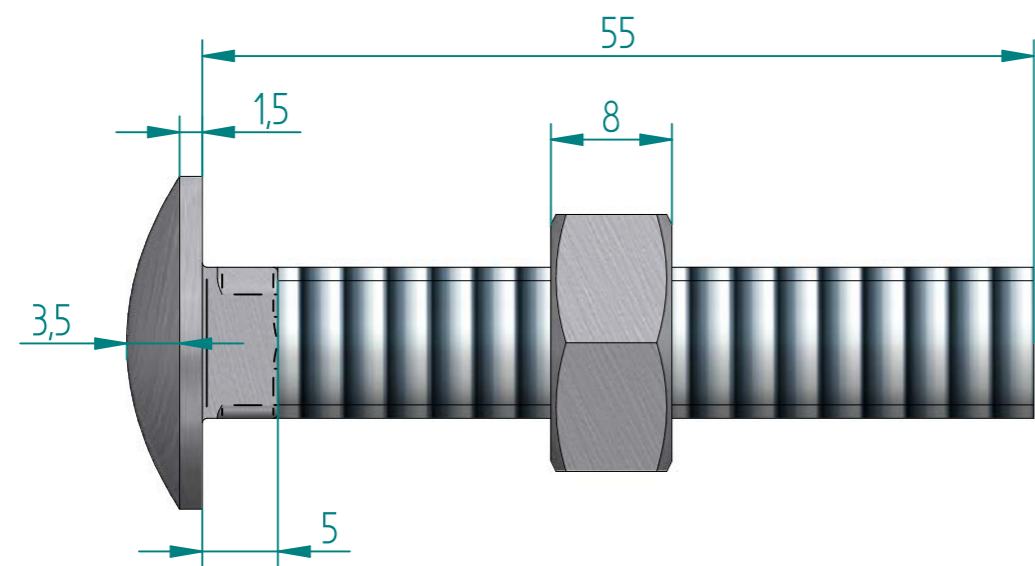
Notes:


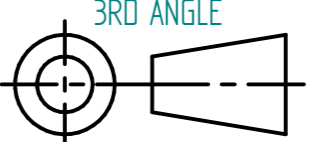
1. Coupling , 2mm Galvanised Steel
2. Coupling Embossed With First Fence
3. Cup Head Bolt, BZP M10 x 55mm / 1.5 Thread Pitch
4. Nut , BZP M10 / 1.5 Thread Pitch



Item	Component Name	Quantity
A	TEMP-ACC-0001 - COUPLING FOR TEMPORARY FENCING	2
B	TEMP-ACC-0001 - BZP STEEL M10 X 55mm CUP HEAD BOLT	1
C	TEMP-ACC-0001 - BZP STEEL HEX NUT M10	1

	NAME	DATE	TITLE
DRAWN	LT	07/04/22	TEMP-ACC-0001 - COUPLER COUPLING FOR TEMPORARY FENCING
TOLERANCE	± 2mm Unless Stated Otherwise		First Fence Ltd, Kiln Way, Swadincote, Derbyshire, DE11 8EA 01283 512 111 sales@firstfence.co.uk
	3RD ANGLE		REV A
			WEIGHT: 0.2 kg
NOTE: SHOULD ANY DISCREPANCIES BE FOUND WITH THIS DRAWING, PLEASE INFORM FIRST FENCE. COPYRIGHT OF THIS DRAWING IS OWNED BY FIRST FENCE LIMITED.			SHEET 1 OF 2



	NAME	DATE	TITLE
DRAWN	LT	07/04/22	TEMP-ACC-0001 - COUPLER COUPLING FOR TEMPORARY FENCING
TOLERANCE	± 2mm Unless Stated Otherwise		 First Fence Ltd, Kiln Way, Swadlincote, Derbyshire, DE11 8EA 01283 512 111 sales@firstfence.co.uk
 3RD ANGLE			
SIZE	A2	REV	A
WEIGHT: 0.2 kg		SHEET 2 OF 2	