
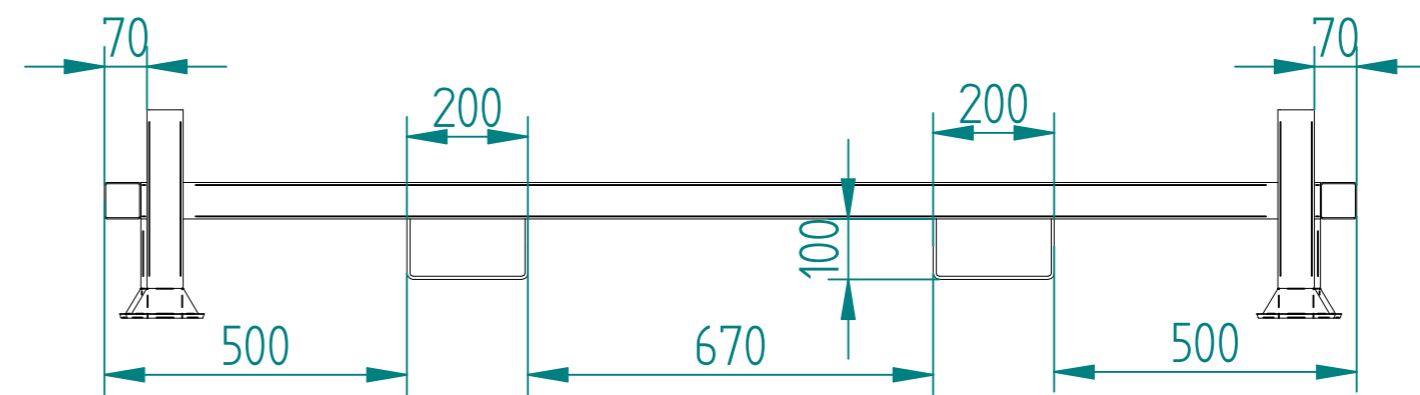
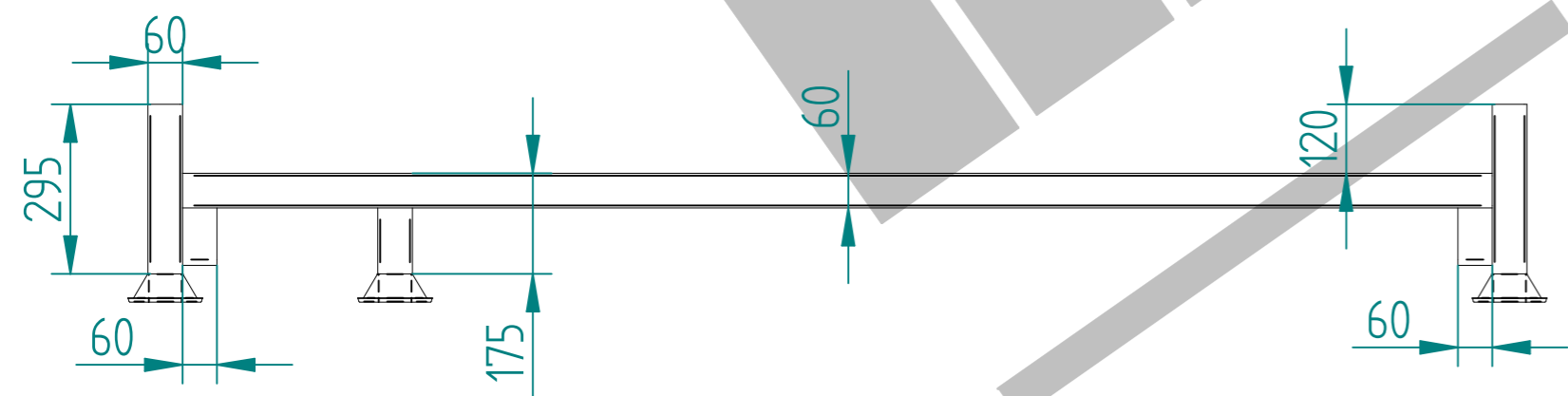
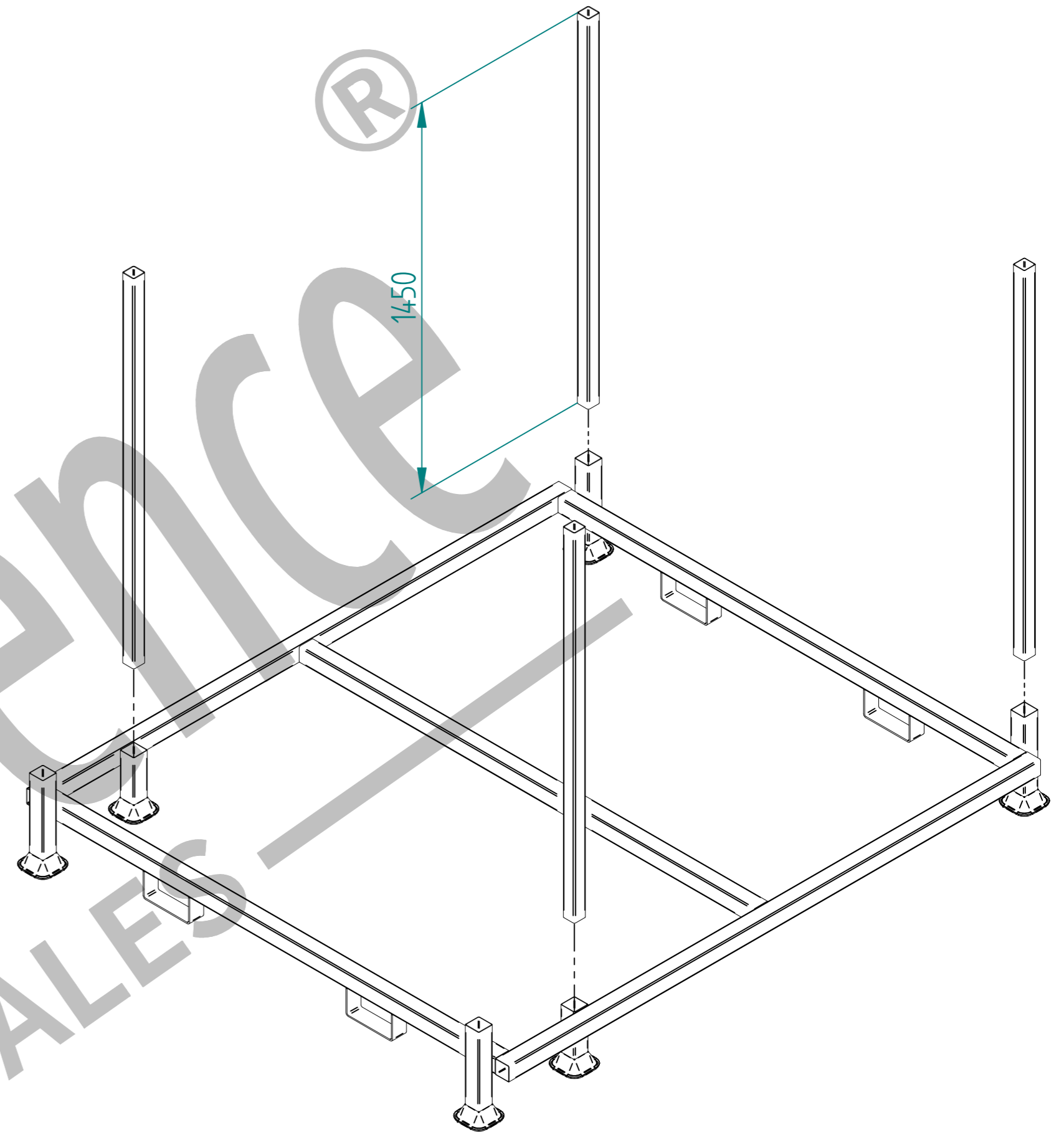
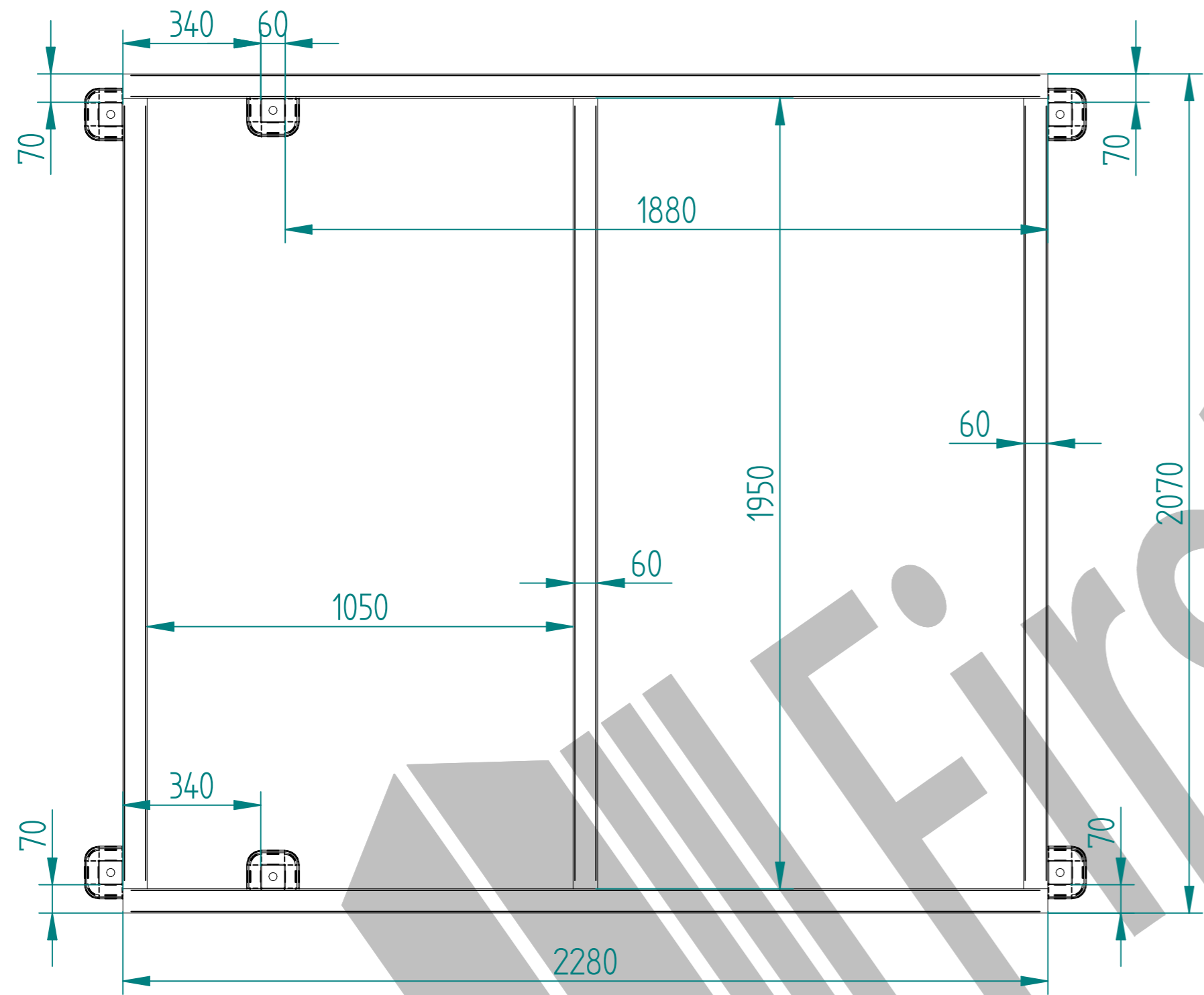

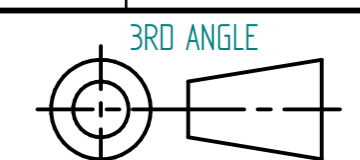


25 Units of Standard  
2.0m High Hoarding Panels

25 Units of Standard  
2.4m High Hoarding Panels

	NAME	DATE	TITLE
DRAWN	LT	18/07/22	STEEL HOARDING STILLAGE
TOLERANCE	± 2mm Unless Stated Otherwise		 First Fence Ltd, Kiln Way, Swadincote, Derbyshire, DE11 8EA 01283 512 111 sales@firstfence.co.uk
	3RD ANGLE		
	SIZE		REV
	A2		A
WEIGHT: 25 PANELS STACK = 920 kg			SHEET 1 OF 2



NAME	DATE	TITLE
LT	18/07/22	STIL-GEN-0005 - HOARDING PANEL SC STILLAGE
TOLERANCE	± 2mm Unless Stated Otherwise	 First Fence Ltd, Kiln Way, Swadincote, Derbyshire, DE11 8EA 01283 512 111 sales@firstfence.co.uk
 3RD ANGLE		
SIZE	REV	
A2	A	
WEIGHT: 68.1 kg		SHEET 2 OF 2