
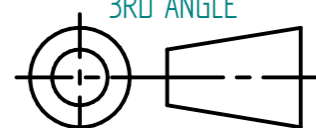
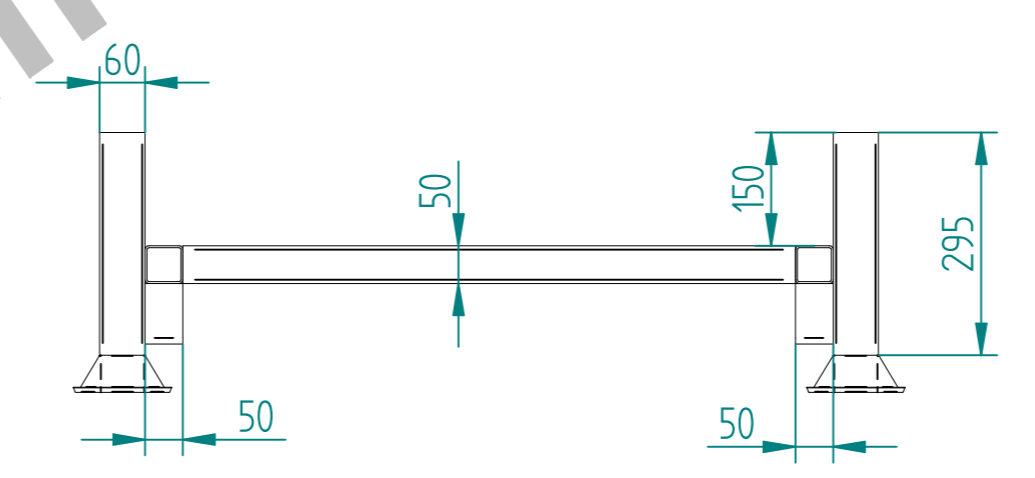
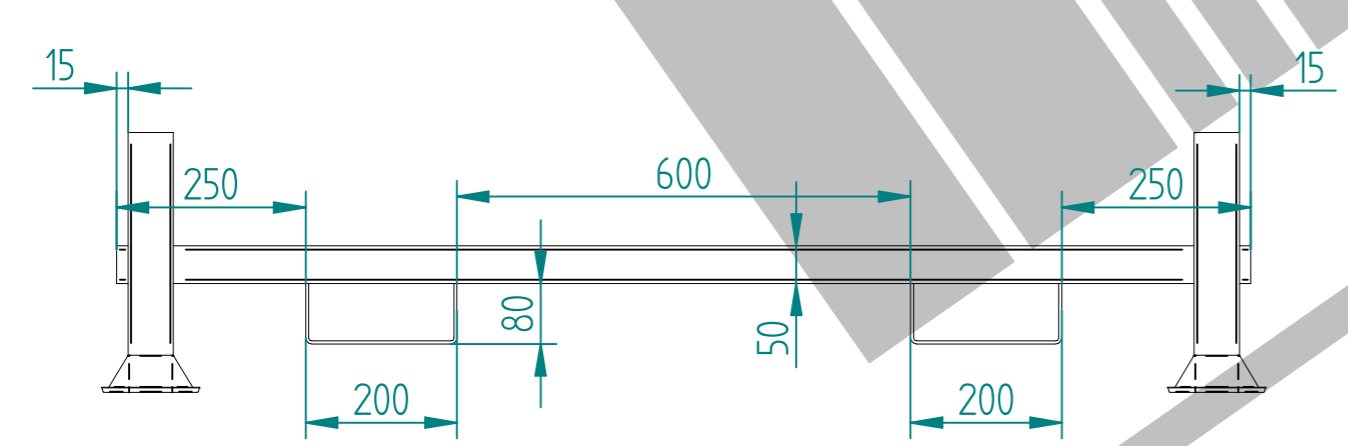
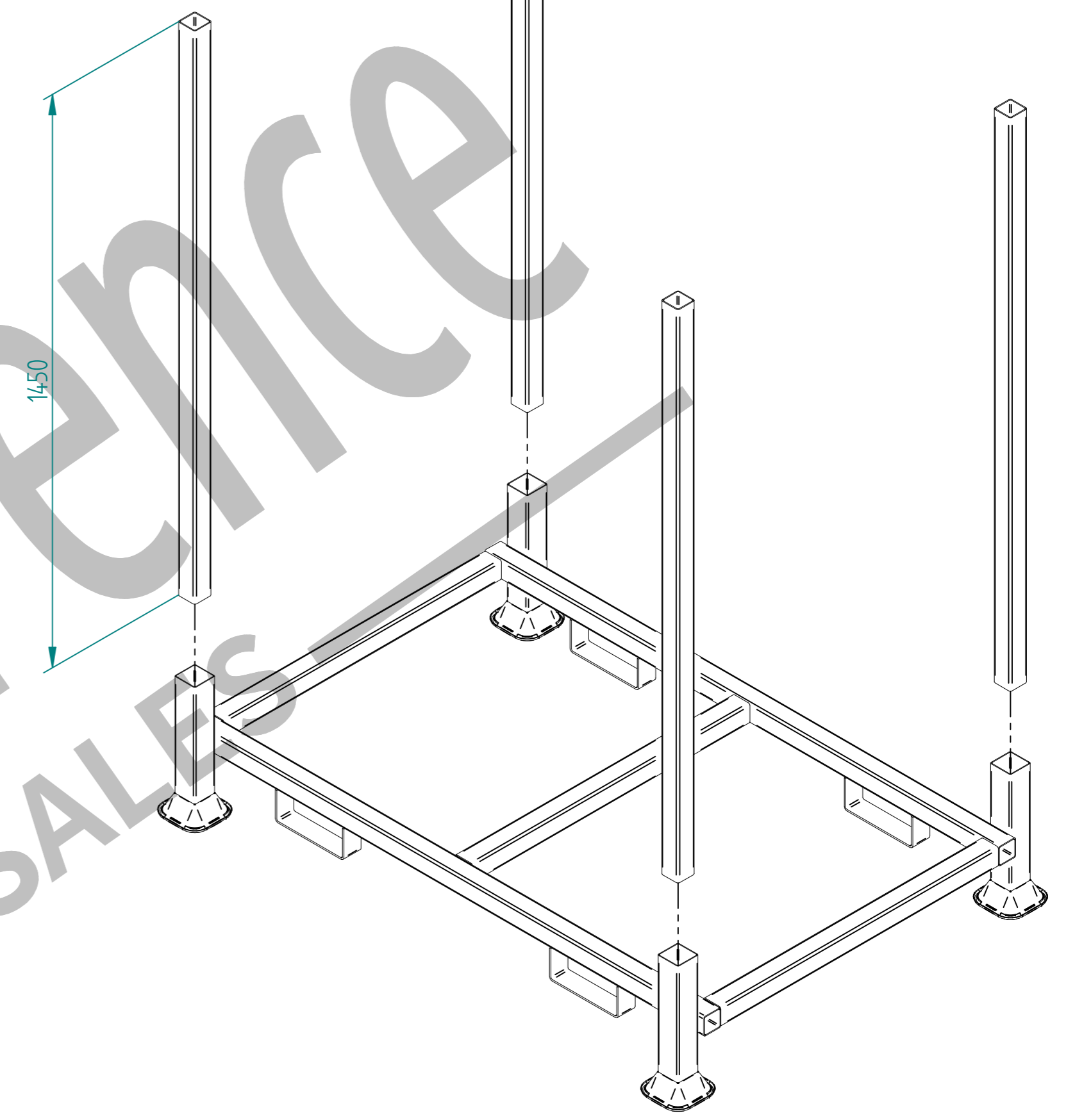
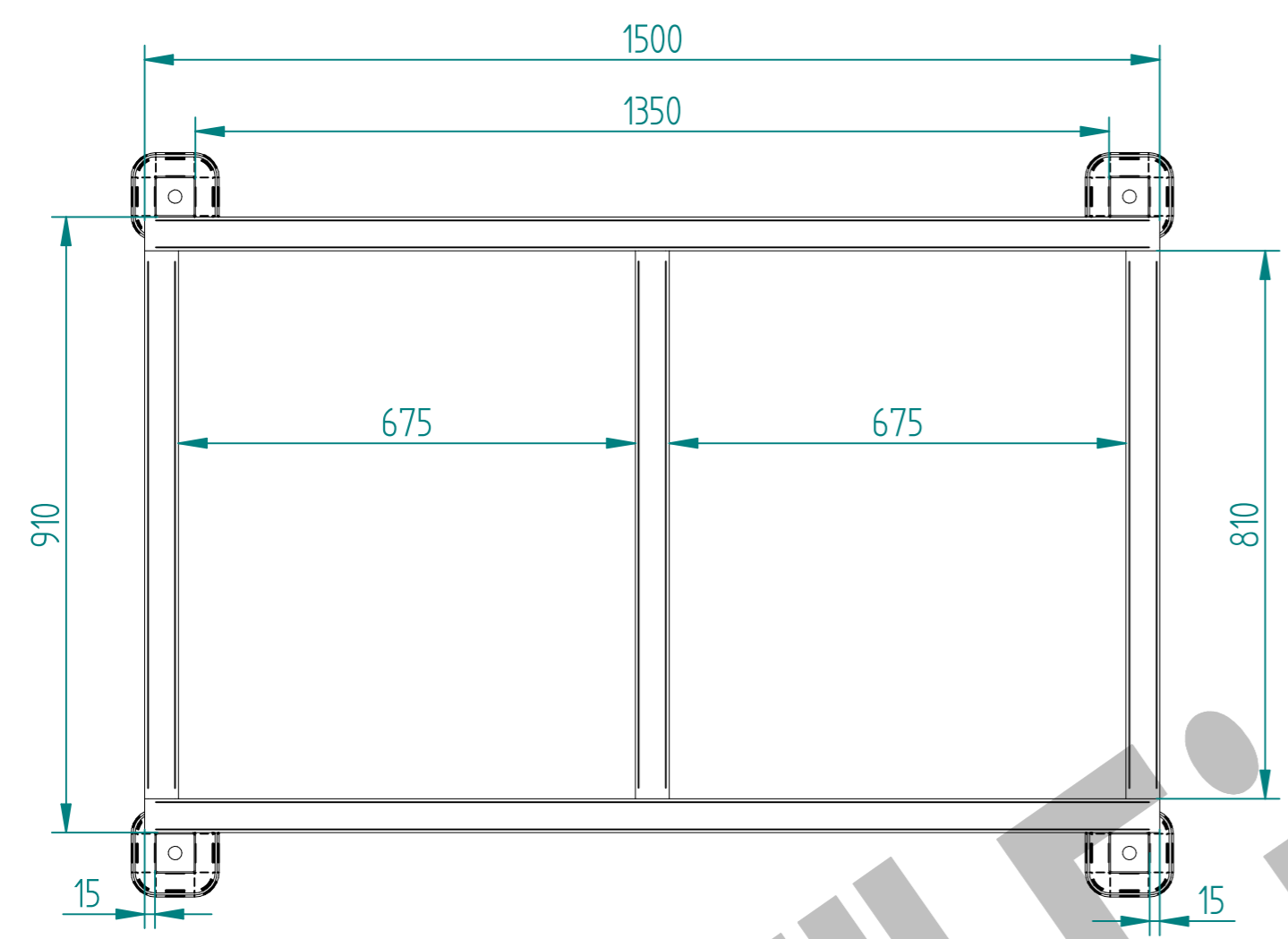



STILLAGE CAN BE USED WITH ALL 2.3m WIDE BARRIERS

EACH STILLAGE CAN CARRY 25 BARRIERS

DRAWN		NAME	DATE	TITLE	
LT		LT	18/07/22	CROWD CONTROL BARRIER STILLAGE STACKED	
TOLERANCE		± 2mm Unless Stated Otherwise		 First Fence Ltd, Kiln Way, Swadincote, Derbyshire, DE11 8EA 01283 512 111 sales@firstfence.co.uk	
 3RD ANGLE		SIZE	A2	NOTE: SHOULD ANY DISCREPANCIES BE FOUND WITH THIS DRAWING, PLEASE INFORM FIRSTFENCE. COPYRIGHT OF THIS DRAWING IS OWNED BY FIRSTFENCE LIMITED.	REV A
WEIGHT: 25 Stacked Barriers = 265 kg				SHEET 1 OF 2	



NAME	DATE	TITLE
LT	18/07/22	STIL-GEN-0001 - CROWD CONTROL BARRIER SC STILLAGE HOLDS 25
TOLERANCE	± 2mm Unless Stated Otherwise	
3RD ANGLE		 First Fence Ltd, Kiln Way, Swadlincote, Derbyshire, DE11 8EA 01283 512 111 sales@firstfence.co.uk
SIZE	NOTE: SHOULD ANY DISCREPANCIES BE FOUND WITH THIS DRAWING, PLEASE INFORM FIRST FENCE. COPYRIGHT OF THIS DRAWING IS OWNED BY FIRST FENCE LIMITED.	REV
A2		A
WEIGHT: 47.6 kg		SHEET 2 OF 2