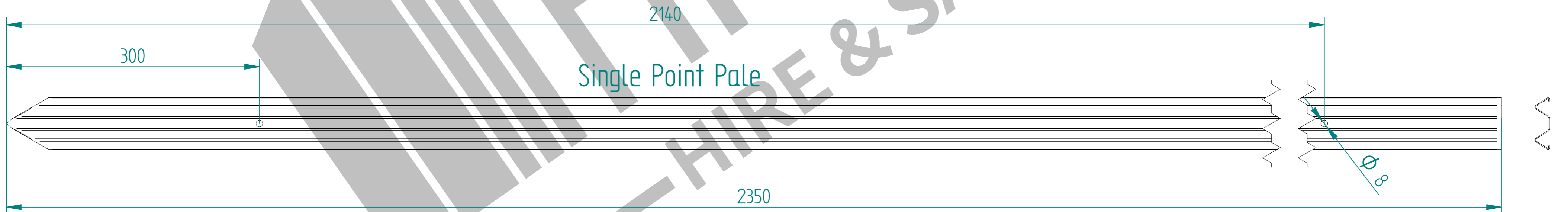
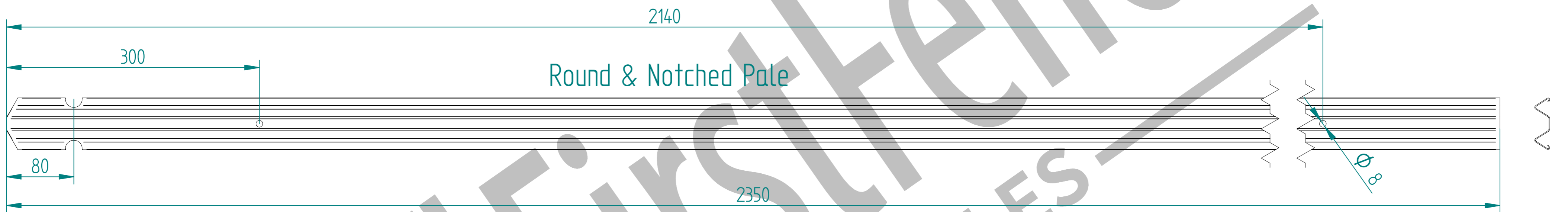
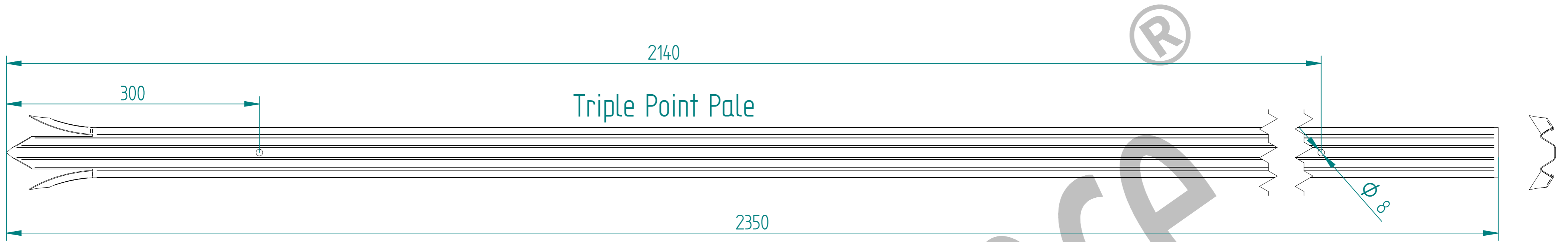

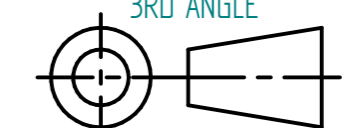


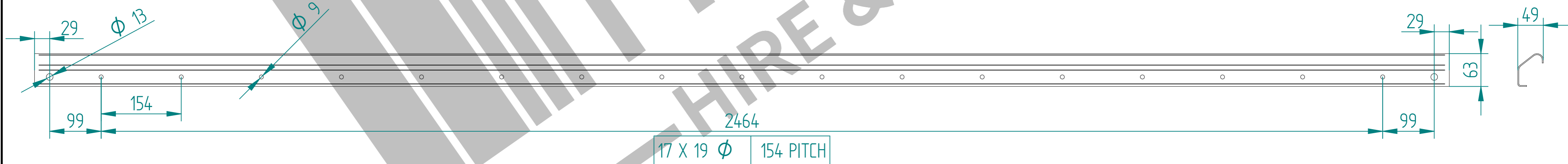
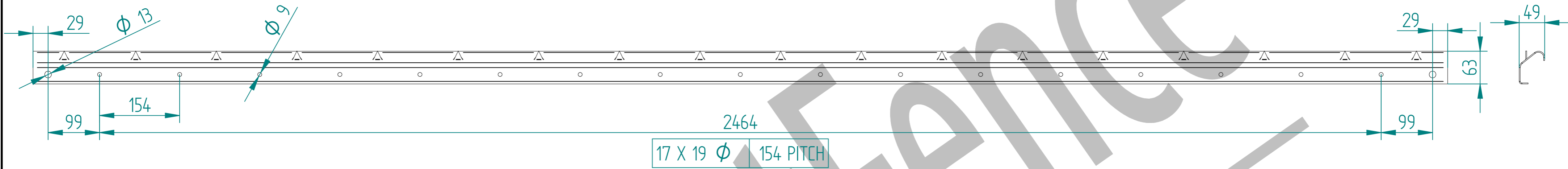
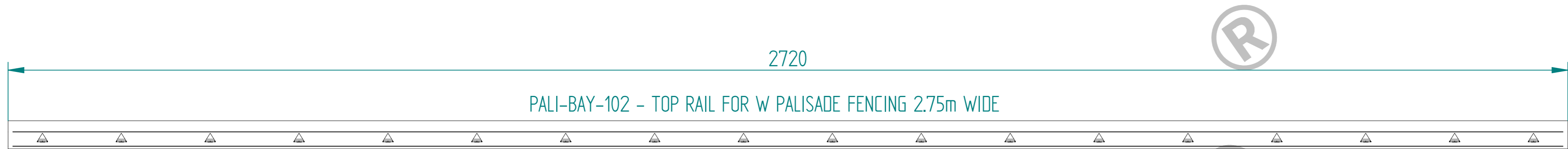
Item	Component Name	Quantity
A	PALI-BAY-0004 - 2.4m HIGH DIG IN PALISADE POST - AL 3125mm	1
B	TRIPLE POINT PALE / ROUND & NOTCHED PALE / SINGLE POINT. ON REQUEST	17
C	PALI-BAY-101 - BOTTOM RAIL FOR W PALISADE FENCING 2.75m WIDE	1
D	PALI-BAY-102 - TOP RAIL FOR W PALISADE FENCING 2.75m WIDE	1
E	ACCES-PAL-0101 - STRAIGHT FISHPLATE FOR PALISADE FENCING	2
F	M12 X 30mm CUP HEAD BOLT + M12 SHEAR NUT	4
G	M8 X 25mm CUP HEAD BOLT + M8 SHEAR NUT	34

NAME	DATE	TITLE
LT	24/08/20	PALI-KIT-0004 - 2.4m HIGH PALISADE DIG IN FENCING KIT TRIPLE POINTED W PALES
TOLERANCE		± 2mm Unless Stated Otherwise
DRAWN		3RD ANGLE
<small>NOTE: SHOULD ANY DISCREPANCIES BE FOUND WITH THIS DRAWING, PLEASE INFORM FIRST FENCE. COPYRIGHT OF THIS DRAWING IS OWNED BY FIRST FENCE LIMITED.</small>		<small>First Fence Ltd, Kiln Way, Swadlincote, Derbyshire, DE11 8EA 01283 512 111 sales@firstfence.co.uk</small>
SIZE	REV	
A2	A	
WEIGHT:	SHEET 1 OF 6	



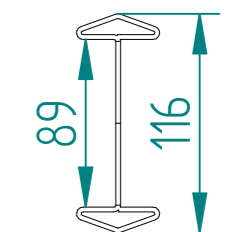
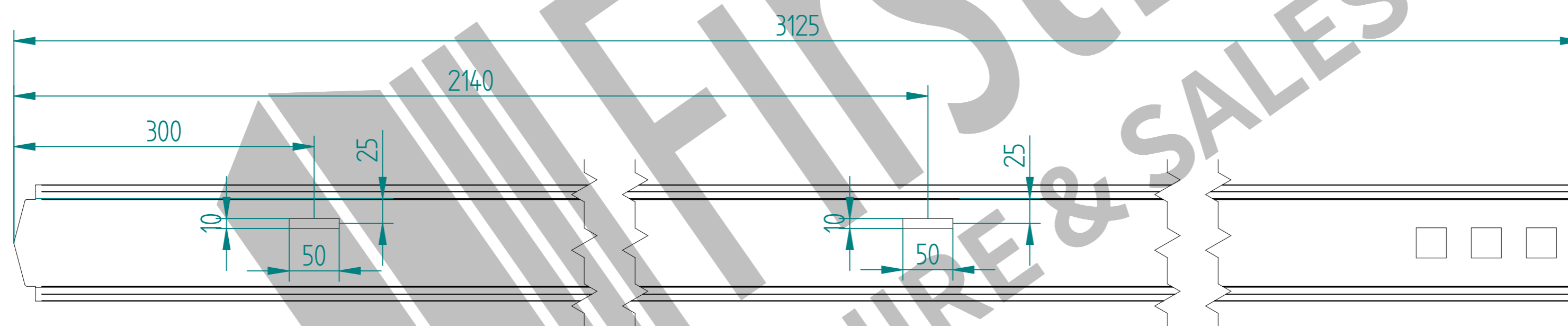
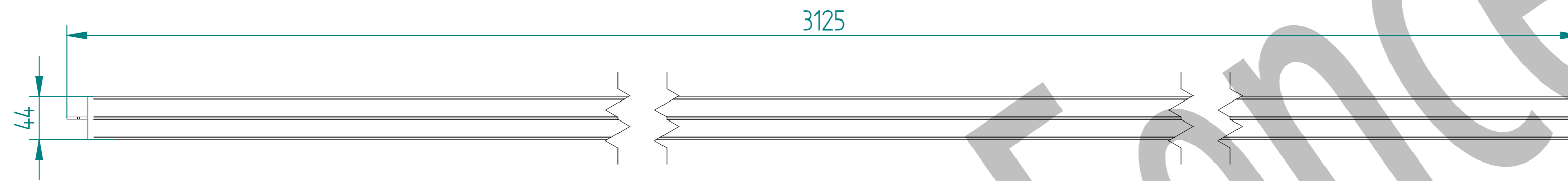
Palisade Pale Wall Thickness Come  
In Sizes Of 2.0mm 2.5mm 3.0mm

	NAME	DATE	TITLE
DRAWN	LT	24/08/20	2.4m W PALISADE PALES ACTUAL HEIGHT 2350mm
TOLERANCE	± 2mm Unless Stated Otherwise		 First Fence Ltd, Kiln Way, Swadincote, Derbyshire, DE11 8EA 01283 512 111 sales@firstfence.co.uk
 3RD ANGLE			
SIZE A2			REV A
WEIGHT:			SHEET 2 OF 6



Palisade Rail Wall Thickness Come In Sizes Of 2.0mm 2.5mm 3.0mm

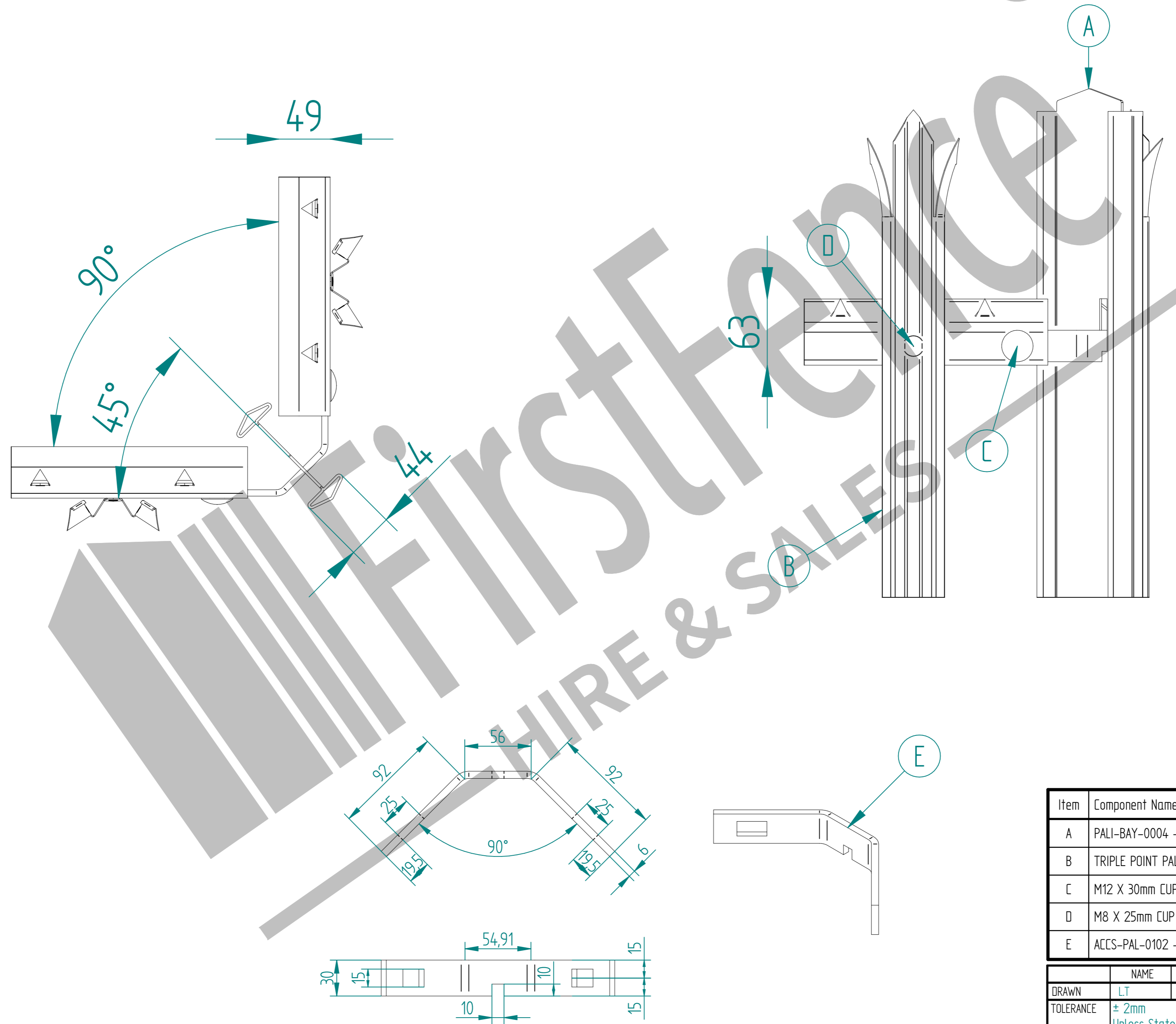
	NAME	DATE	TITLE
DRAWN	LT	24/08/20	RAILS FOR W PALISADE FENCING 2.75m WIDE
TOLERANCE	± 2mm Unless Stated Otherwise		First Fence Ltd, Kiln Way, Swadlincote, Derbyshire, DE11 8EA 01283 512 111 sales@firstfence.co.uk
3RD ANGLE			NOTE: SHOULD ANY DISCREPANCIES BE FOUND WITH THIS DRAWING, PLEASE INFORM FIRST FENCE. COPYRIGHT OF THIS DRAWING IS OWNED BY FIRST FENCE LIMITED.
SIZE	A2		REV A
WEIGHT:	SHEET 3 OF 6		



Palisade Post Wall Thickness Come In Sizes Of 2.0mm 2.5mm 3.0mm

NAME	DATE	TITLE	First Fence Ltd, Kiln Way, Swadincote, Derbyshire, DE11 8EA 01283 512 111 sales@firstfence.co.uk
DRAWN	LT	24/08/20	
TOLERANCE	± 2mm Unless Stated Otherwise		First Fence HIRE & SALES
3RD ANGLE 			NOTE: SHOULD ANY DISCREPANCIES BE FOUND WITH THIS DRAWING, PLEASE INFORM FIRST FENCE COPYRIGHT OF THIS DRAWING IS OWNED BY FIRST FENCE LIMITED.
SIZE	A2	REV	A
WEIGHT:			SHEET 4 OF 6

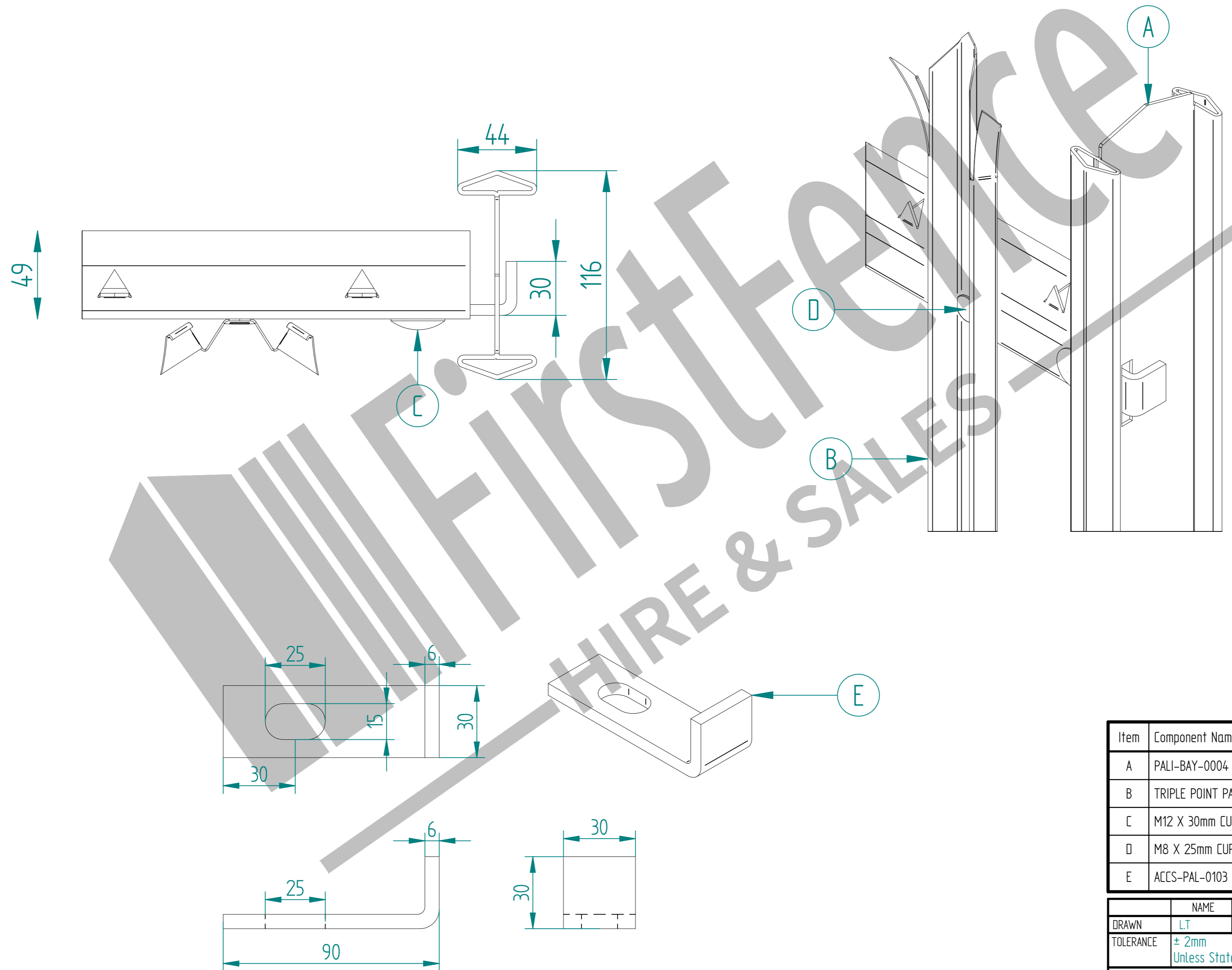
# PALISADE FENCING 90° CORNER POST DETAIL



Item	Component Name
A	PALI-BAY-0004 - 2.4m HIGH DIG IN PALISADE POST - AL 3125mm
B	TRIPLE POINT PALE / ROUND & NOTCHED PALE / SINGLE POINT. ON REQUEST
C	M12 X 30mm CUP HEAD BOLT + M12 SHEAR NUT
D	M8 X 25mm CUP HEAD BOLT + M8 SHEAR NUT
E	ACCS-PAL-0102 - CORNER FISHPLATE FOR PALISADE FENCING

DRAWN		NAME	DATE	TITLE	
LT		LT	24/08/20	PALISADE FENCING 90° CORNER POST DETAIL	
TOLERANCE		± 2mm Unless Stated Otherwise		First Fence Ltd, Kiln Way, Swadincote, Derbyshire, DE11 8EA 01283 512 111 sales@firstfence.co.uk	
3RD ANGLE		SIZE	A2	NOTE: SHOULD ANY DISCREPANCIES BE FOUND WITH THIS DRAWING, PLEASE INFORM FIRSTFENCE. COPYRIGHT OF THIS DRAWING IS OWNED BY FIRSTFENCE LIMITED.	REV A
WEIGHT:				SHEET 5 OF 6	

# PALISADE FENCING END POST DETAIL



Item	Component Name
A	PALI-BAY-0004 - 2.4m HIGH DIG IN PALISADE POST - AL 3125mm
B	TRIPLE POINT PALE / ROUND & NOTCHED PALE / SINGLE POINT. ON REQUEST
C	M12 X 30mm CUP HEAD BOLT + M12 SHEAR NUT
D	M8 X 25mm CUP HEAD BOLT + M8 SHEAR NUT
E	ACCS-PAL-0103 - END FISHPLATE FOR PALISADE FENCING

DRAWN		NAME	DATE	TITLE
LT		LT	24/08/20	PALISADE FENCING END POST DETAIL
TOLERANCE		± 2mm Unless Stated Otherwise		First Fence Ltd, Kiln Way, Swadincote, Derbyshire, DE11 8EA 01283 512 111 sales@firstfence.co.uk
3RD ANGLE		SIZE	A2	
NOTE: SHOULD ANY DISCREPANCIES BE FOUND WITH THIS DRAWING, PLEASE INFORM FIRSTFENCE. COPYRIGHT OF THIS DRAWING IS OWNED BY FIRSTFENCE LIMITED.				REV A
WEIGHT:				SHEET 6 OF 6