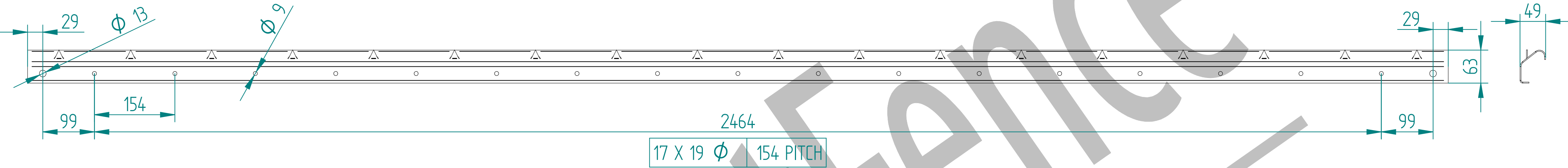
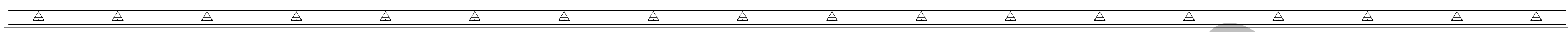


Palisade Pale Wall Thickness Come In Sizes Of 2.0mm 2.5mm 3.0mm

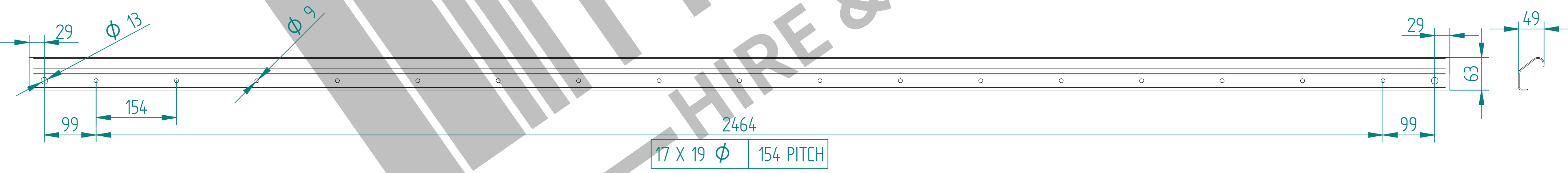
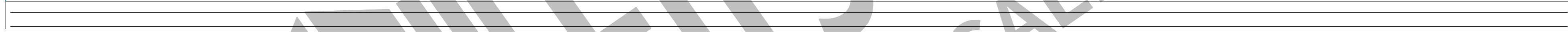
	NAME	DATE	TITLE
DRAWN	LT	24/08/20	1.8m W PALISADE PALES ACTUAL HEIGHT 1750mm
TOLERANCE	± 2mm Unless Stated Otherwise		First Fence Ltd, Kiln Way, Swadincote, Derbyshire, DE11 8EA 01283 512 111 sales@firstfence.co.uk
3RD ANGLE			
NOTE: SHOULD ANY DISCREPANCIES BE FOUND WITH THIS DRAWING, PLEASE INFORM FIRSTFENCE COPYRIGHT OF THIS DRAWING IS OWNED BY FIRSTFENCE LIMITED.			REV A
WEIGHT:			SHEET 2 OF 6



2720
 PALI-BAY-102 - TOP RAIL FOR W PALISADE FENCING 2.75m WIDE

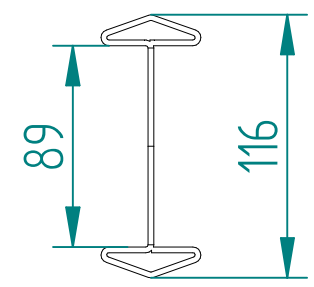
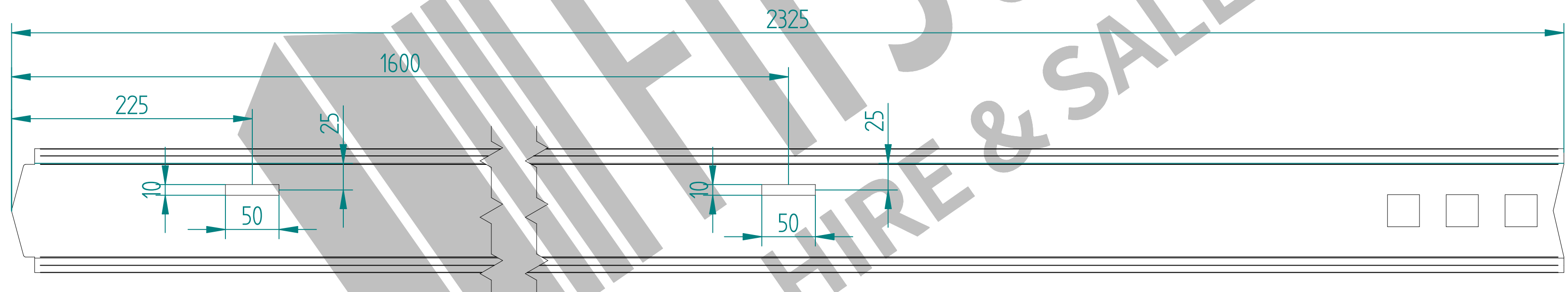
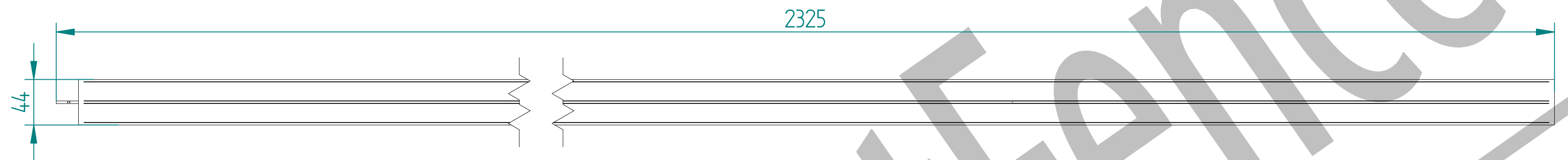


2720
 PALI-BAY-101 - BOTTOM RAIL FOR W PALISADE FENCING 2.75m WIDE



Palisade Rail Wall Thickness Come In Sizes Of 2.0mm 2.5mm 3.0mm

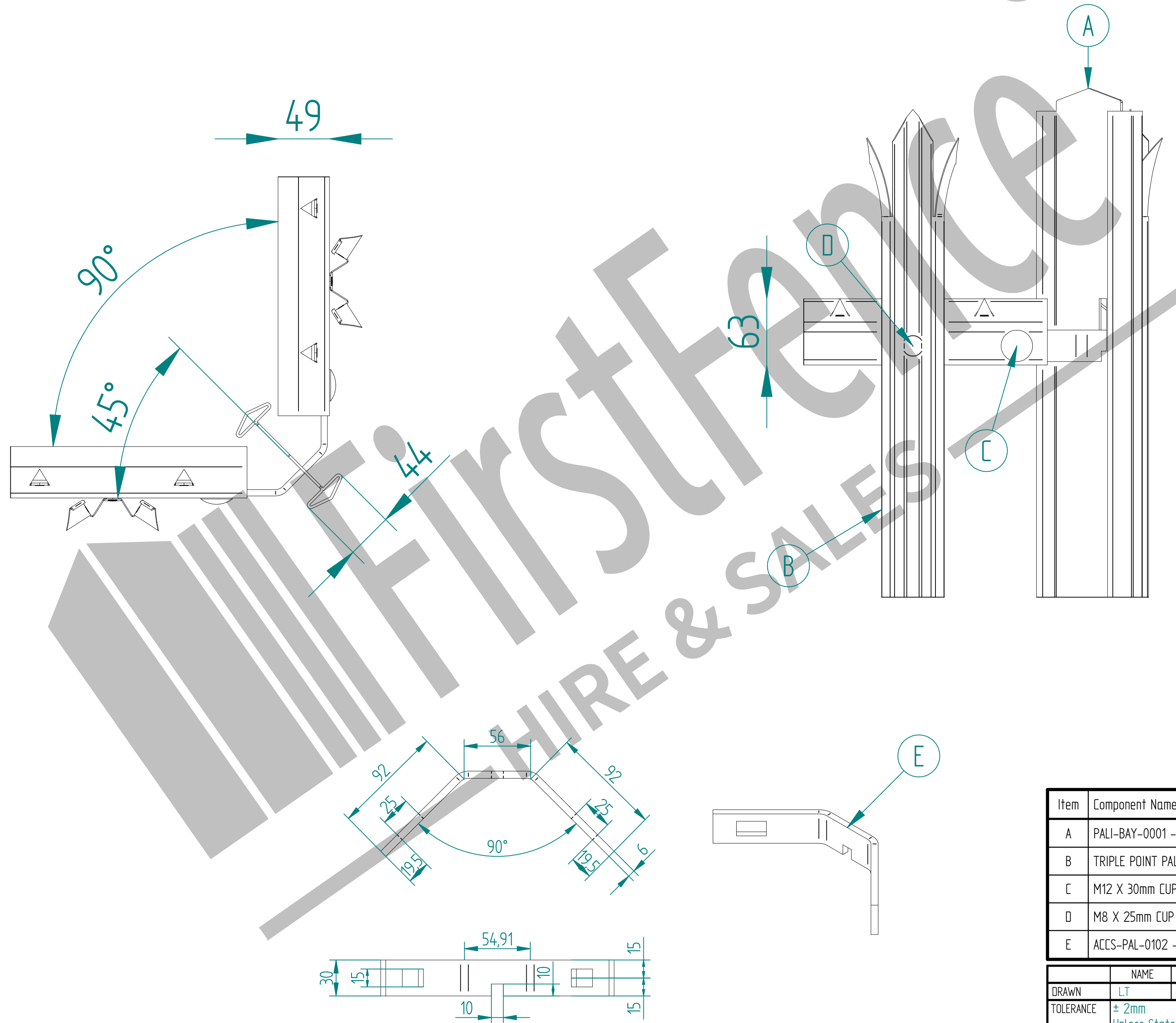
	NAME	DATE	TITLE
DRAWN	LT	24/08/20	RAILS FOR W PALISADE FENCING 2.75m WIDE
TOLERANCE	± 2mm Unless Stated Otherwise		First Fence Ltd, Kiln Way, Swadincote, Derbyshire, DE11 8EA 01283 512 111 sales@firstfence.co.uk
	3RD ANGLE		
	SIZE	WEIGHT:	REV A
	A2		A
	NOTE: SHOULD ANY DISCREPANCIES BE FOUND WITH THIS DRAWING, PLEASE INFORM FIRSTFENCE. COPYRIGHT OF THIS DRAWING IS OWNED BY FIRSTFENCE LIMITED.		SHEET 3 OF 6



Palisade Post Wall Thickness Come In Sizes Of 2.0mm 2.5mm 3.0mm

	NAME	DATE	TITLE
DRAWN	LT	24/08/20	PALI-BAY-0001 - 1.8m HIGH DIG IN PALISADE POST - AL 2325mm
TOLERANCE	± 2mm Unless Stated Otherwise		FirstFence® First Fence Ltd, Kiln Way, Swadlincote, Derbyshire, DE11 8EA 01283 512 111 sales@firstfence.co.uk
	3RD ANGLE		NOTE: SHOULD ANY DISCREPANCIES BE FOUND WITH THIS DRAWING, PLEASE INFORM FIRSTFENCE COPYRIGHT OF THIS DRAWING IS OWNED BY FIRSTFENCE LIMITED.
	SIZE	A2	REV A
	WEIGHT:		SHEET 4 OF 6

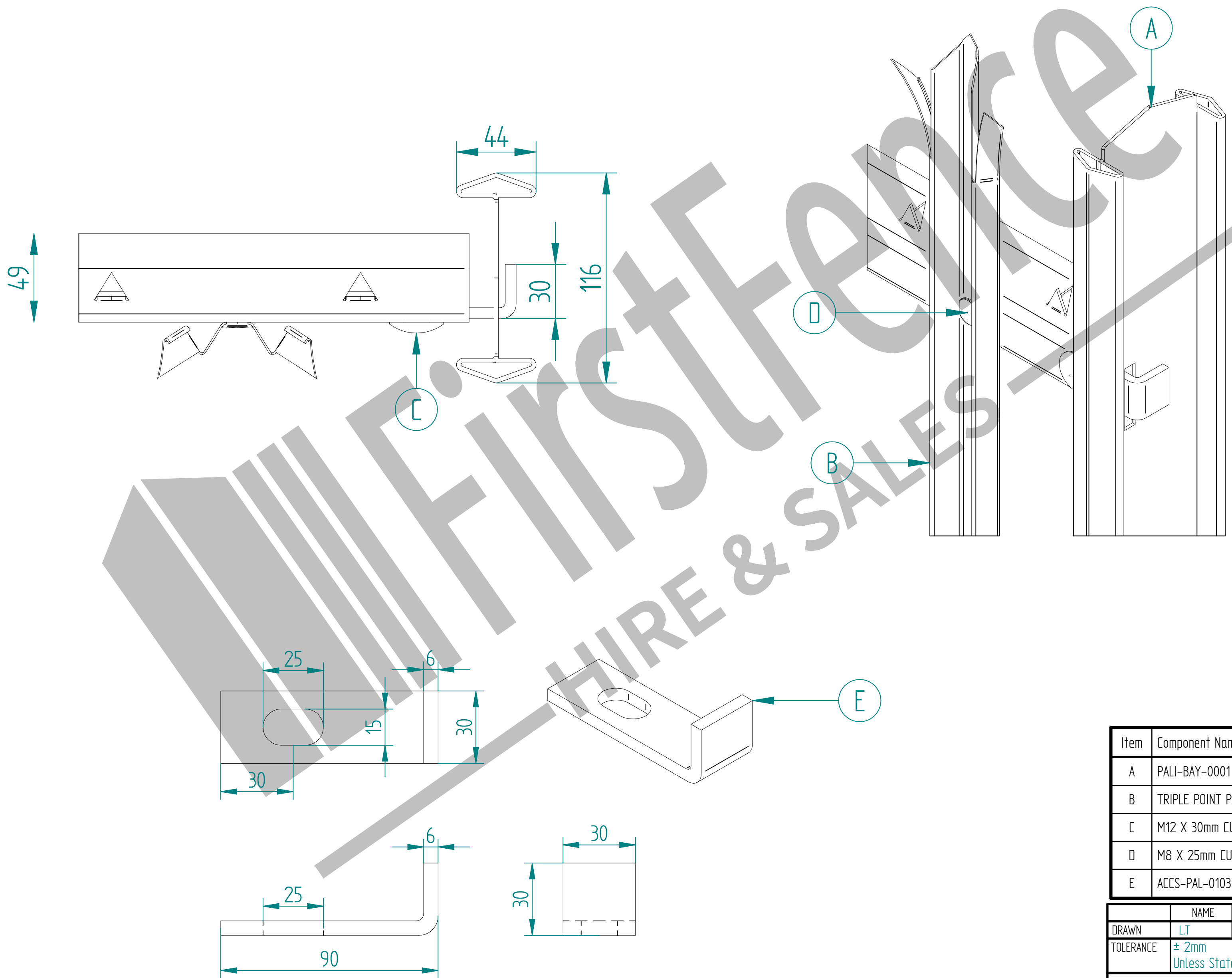
PALISADE FENCING 90° CORNER POST DETAIL



Item	Component Name
A	PALI-BAY-0001 - 1.8m HIGH DIG IN PALISADE POST - AL 2325mm
B	TRIPLE POINT PALE / ROUND & NOTCHED PALE / SINGLE POINT. ON REQUEST
C	M12 X 30mm CUP HEAD BOLT + M12 SHEAR NUT
D	M8 X 25mm CUP HEAD BOLT + M8 SHEAR NUT
E	ACCS-PAL-0102 - CORNER FISHPLATE FOR PALISADE FENCING

NAME	DATE	TITLE
LT	24/08/20	PALISADE FENCING 90° CORNER POST DETAIL
TOLERANCE ± 2mm Unless Stated Otherwise		First Fence Ltd, Kiln Way, Swadlincote, Derbyshire, DE11 8EA 01283 512 111 sales@firstfence.co.uk
3RD ANGLE		
SIZE A2	NOTE: SHOULD ANY DISCREPANCIES BE FOUND WITH THIS DRAWING, PLEASE INFORM FIRSTFENCE. COPYRIGHT OF THIS DRAWING IS OWNED BY FIRSTFENCE LIMITED.	REV A
WEIGHT:	SHEET 5 OF 6	

PALISADE FENCING END POST DETAIL



Item	Component Name
A	PALI-BAY-0001 - 1.8m HIGH DIG IN PALISADE POST - AL 2325mm
B	TRIPLE POINT PALE / ROUND & NOTCHED PALE / SINGLE POINT. ON REQUEST
C	M12 X 30mm CUP HEAD BOLT + M12 SHEAR NUT
D	M8 X 25mm CUP HEAD BOLT + M8 SHEAR NUT
E	ACCS-PAL-0103 - END FISHPLATE FOR PALISADE FENCING

DRAWN		NAME	DATE	TITLE
LT		LT	24/08/20	PALISADE FENCING END POST DETAIL
TOLERANCE		± 2mm Unless Stated Otherwise		First Fence Ltd, Kiln Way, Swadlincote, Derbyshire, DE11 8EA 01283 512 111 sales@firstfence.co.uk
3RD ANGLE		SIZE	A2	
WEIGHT:				SHEET 6 OF 6