

DATE : 03.08.21 (PGB)

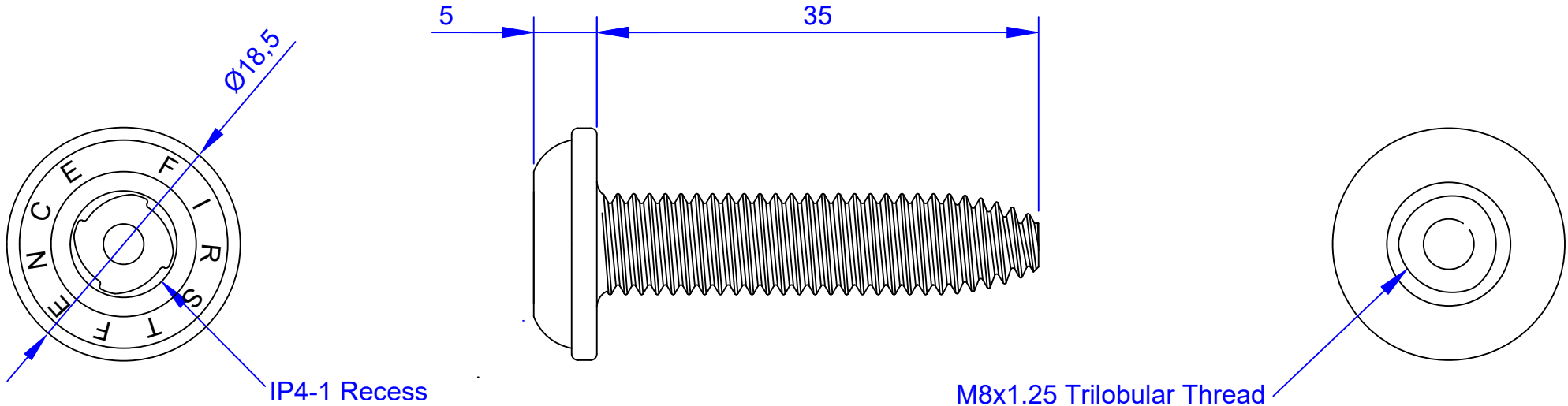
FIRST FENCE LTD

DRG NO.

FF41TM08035NMG



EU DESIGN REG NO. 002246363-0001



RECOMMENDED TIGHTENING TORQUE 20Nm

SUGGESTED PILOT HOLE SIZES IN STEEL :-

1.6 – 3.1MM THK = 7.2MM

3.1 – 4.5MM THK = 7.3MM

4.6 – 6.9MM THK = 7.4MM

SUBJECT TO MANUFACTURING TOLERANCES

TITLE	MATERIAL	FINISH
IP4-1 M8x35 Flg Hd Self Thread Screw	Case Hardened Steel	MAGNI 1000Hr