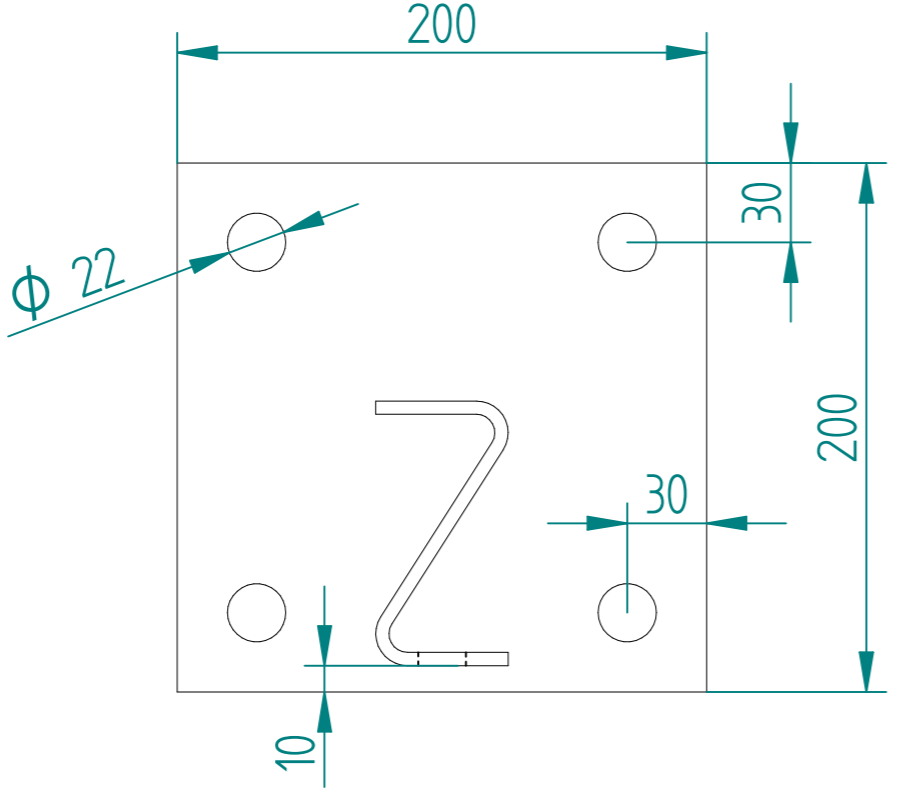
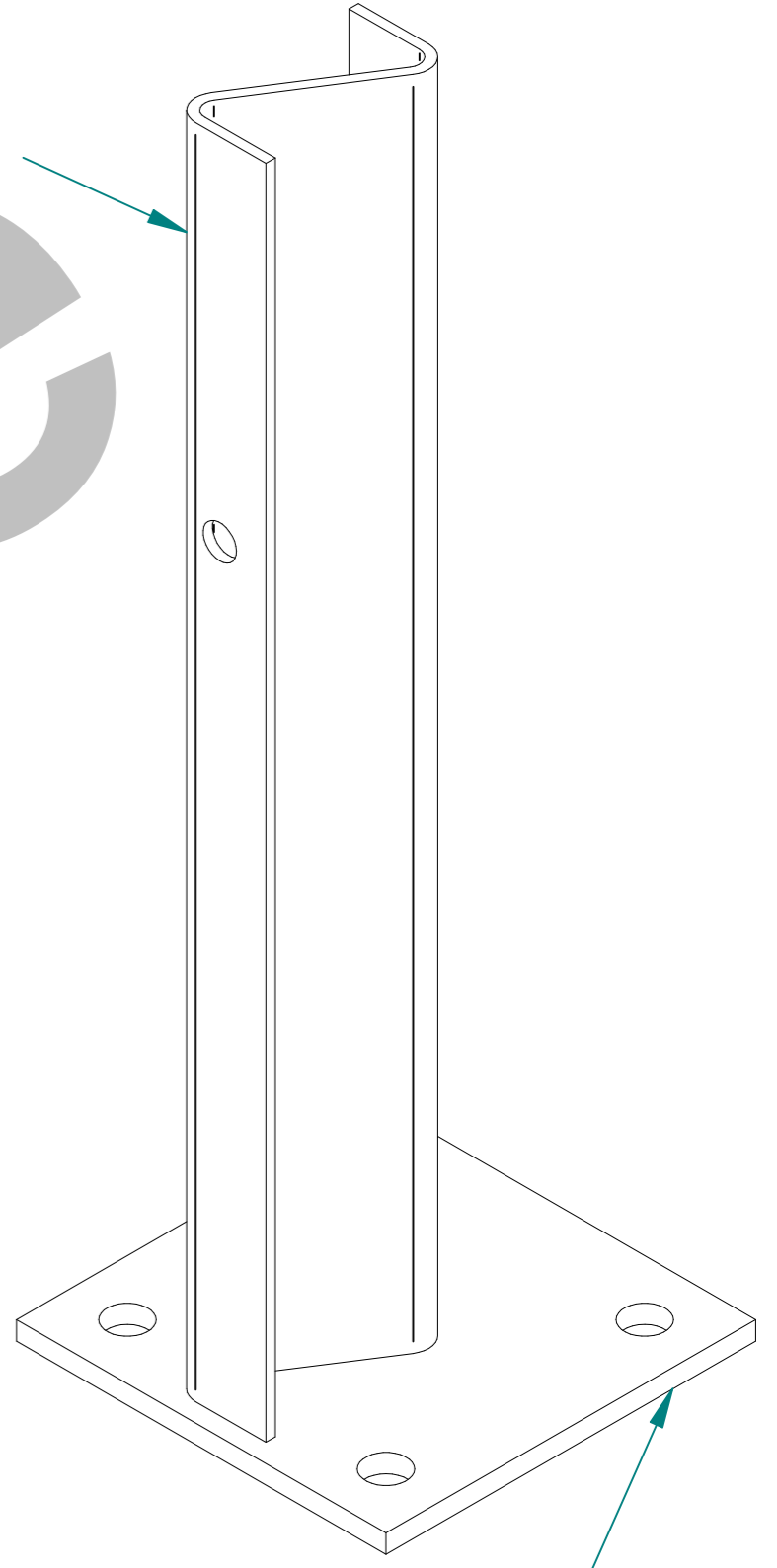


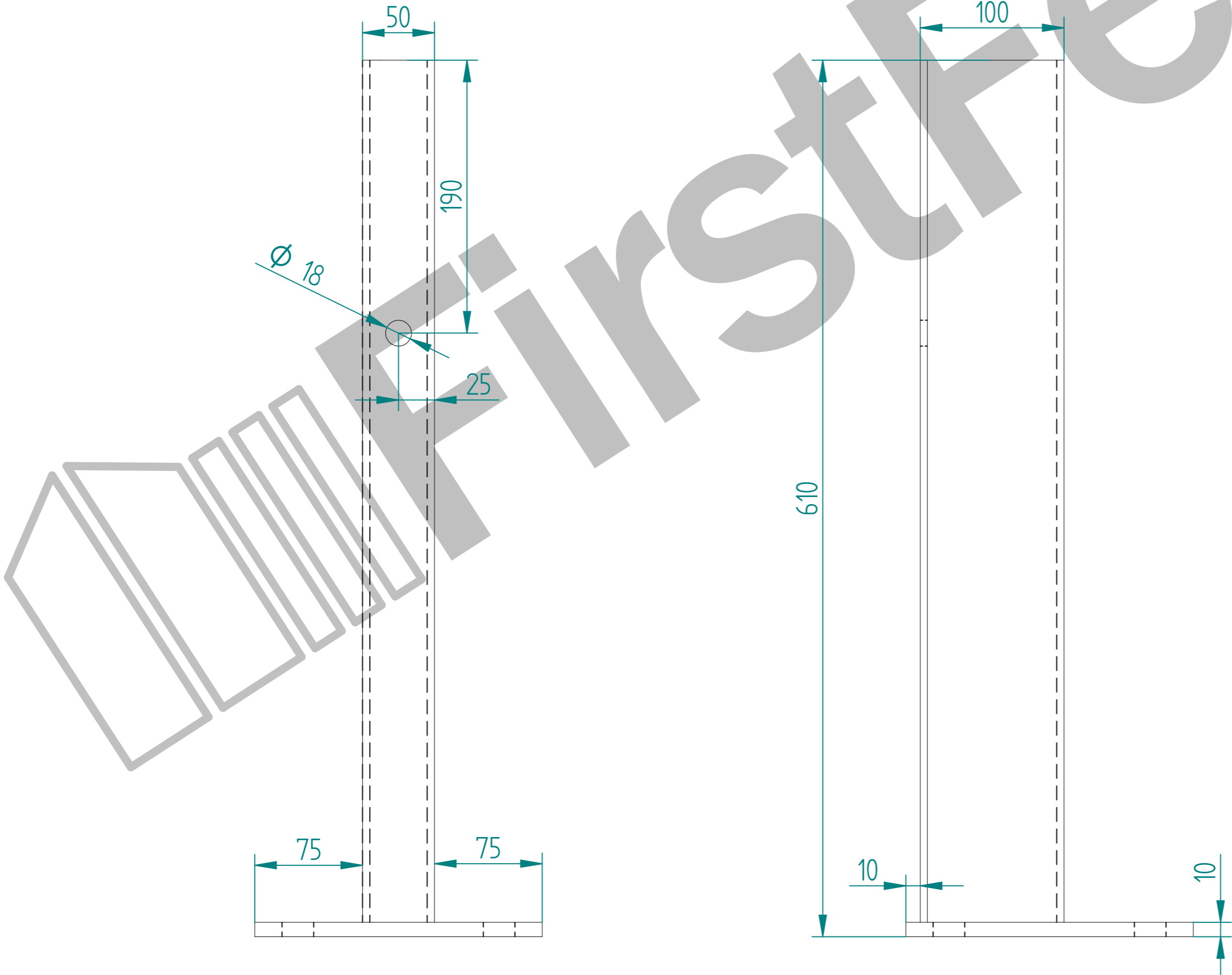
# ARMCO 610mm BOLT DOWN Z POSTS



FABR-FLA-2002 - MILD STEEL SHEARED BLANKS 600 x 207mm CUT TO SIZE



FABR-BAS-1001 - STEEL FLAT 200 x 200mm x 10mm CUT TO SIZE BASE PLATE



	NAME	DATE	TITLE
DRAWN	LT	25/05/21	ARMCO-POS-0101 - ARMCO 610mm BOLT DOWN Z POSTS
CHECKED			
ENG APPR			
SIZE	<small>NOTE: SHOULD ANY DISCREPANCIES BE FOUND WITH THIS DRAWING PLEASE INFORM FIRST FENCE. COPYRIGHT OF THIS DRAWING IS OWNED BY FIRST FENCE LIMITED.</small>		REV
A3			A
WEIGHT: 7.6 kg			SHEET 1 OF 1